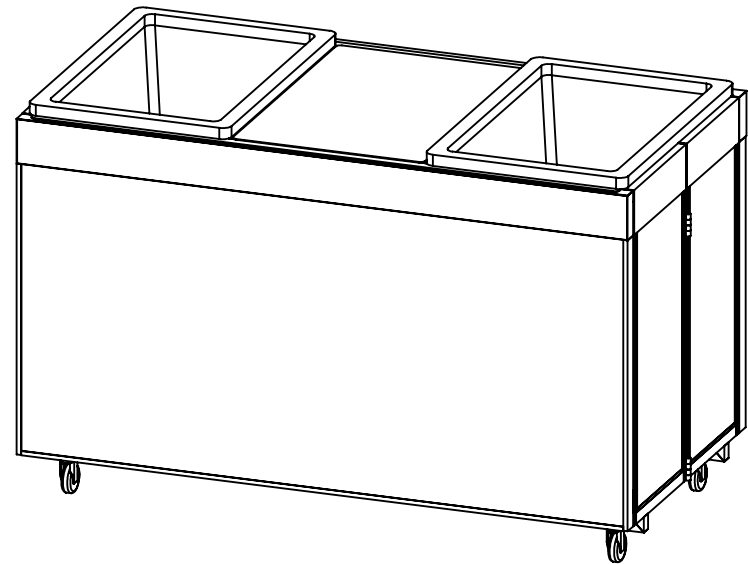
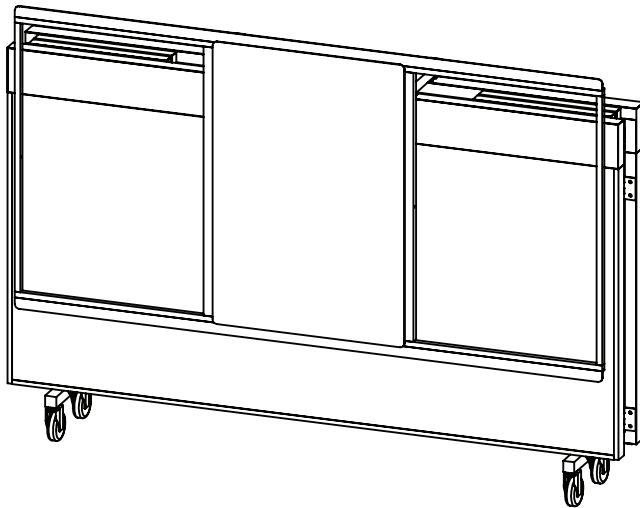
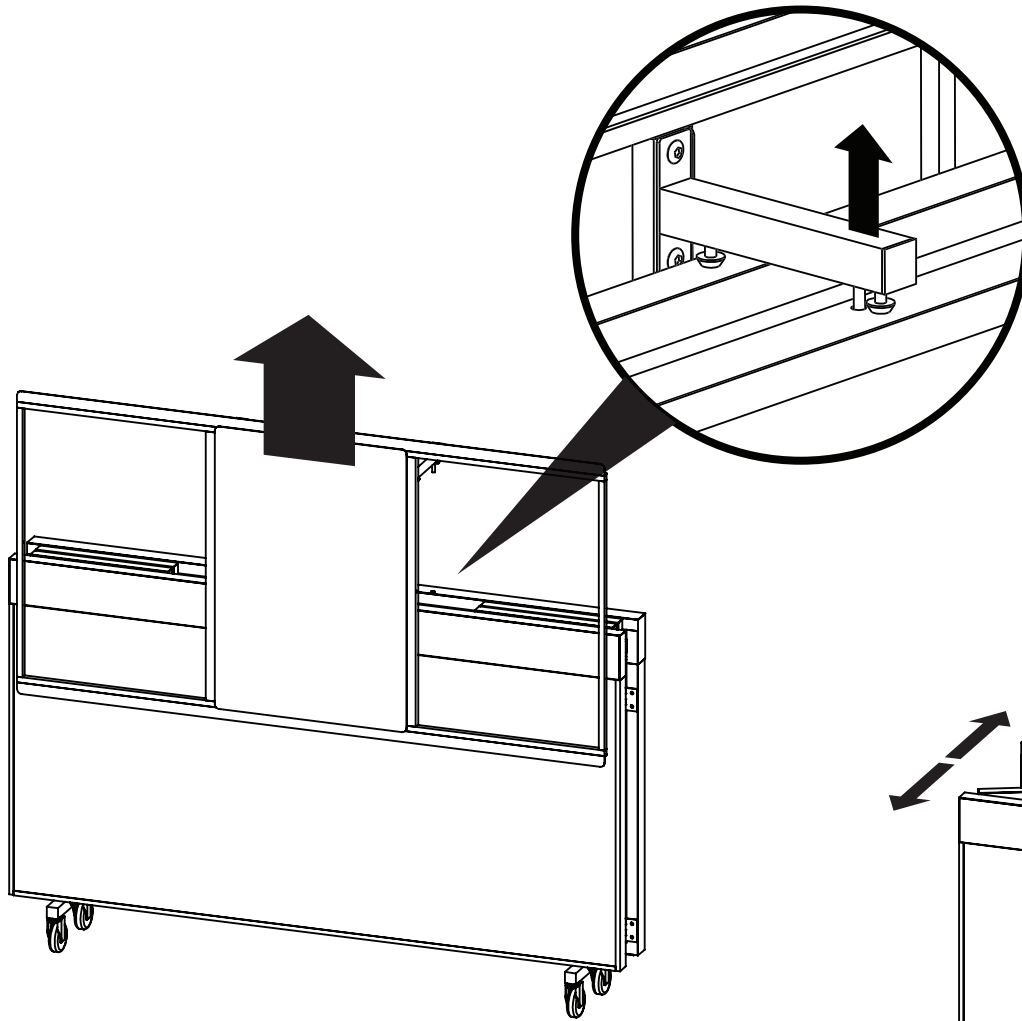


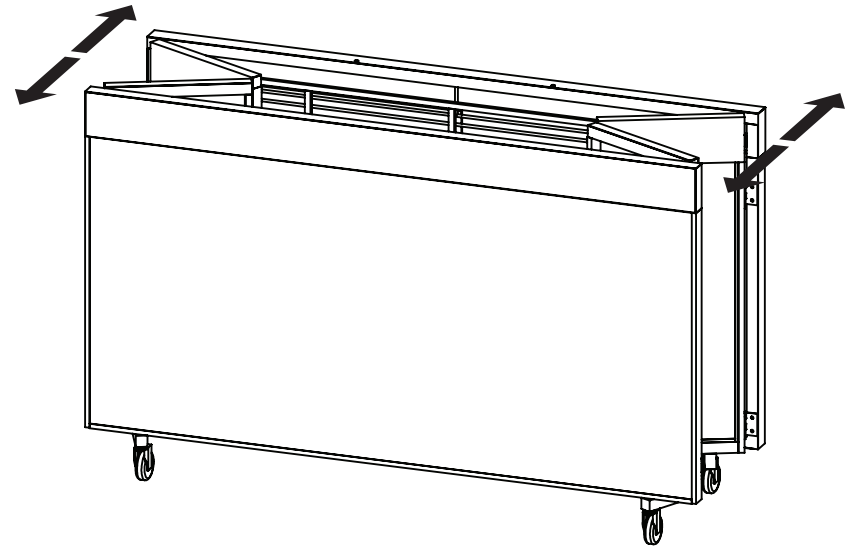


Portable Back Bar Set Up Guide

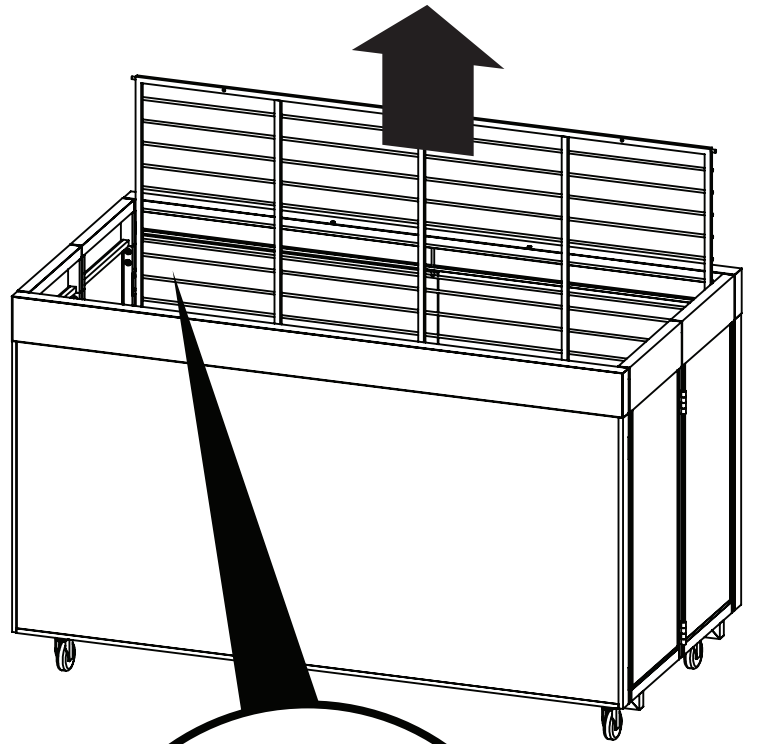




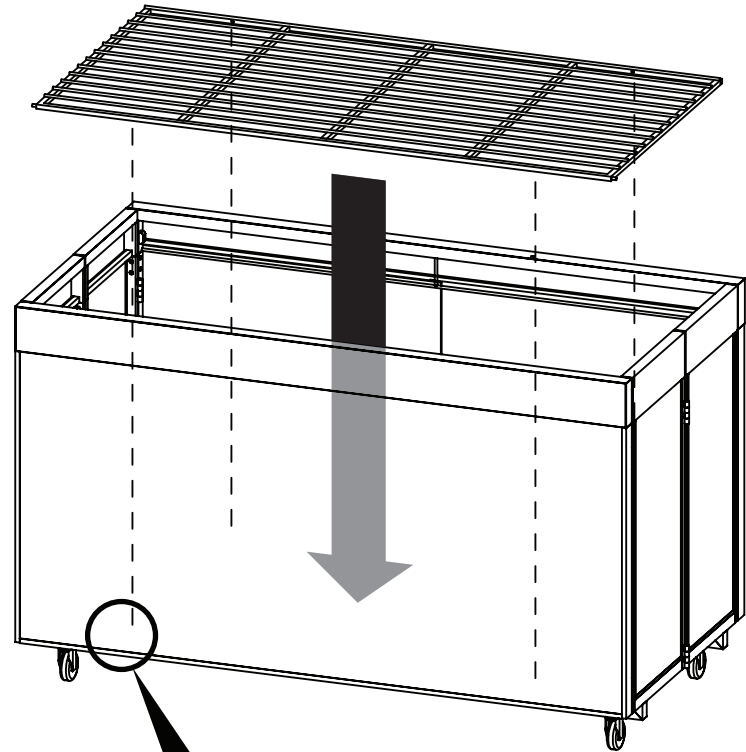
1



2

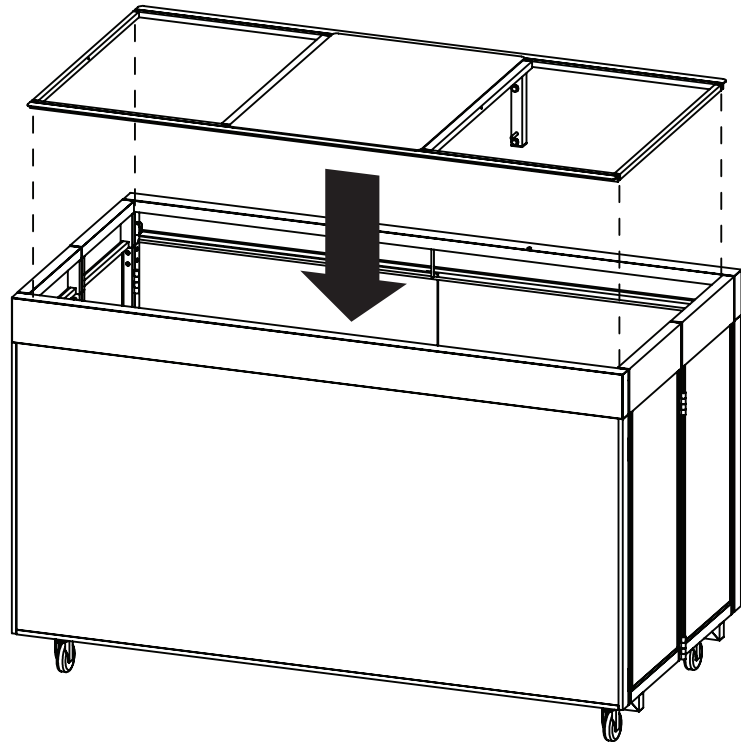


3

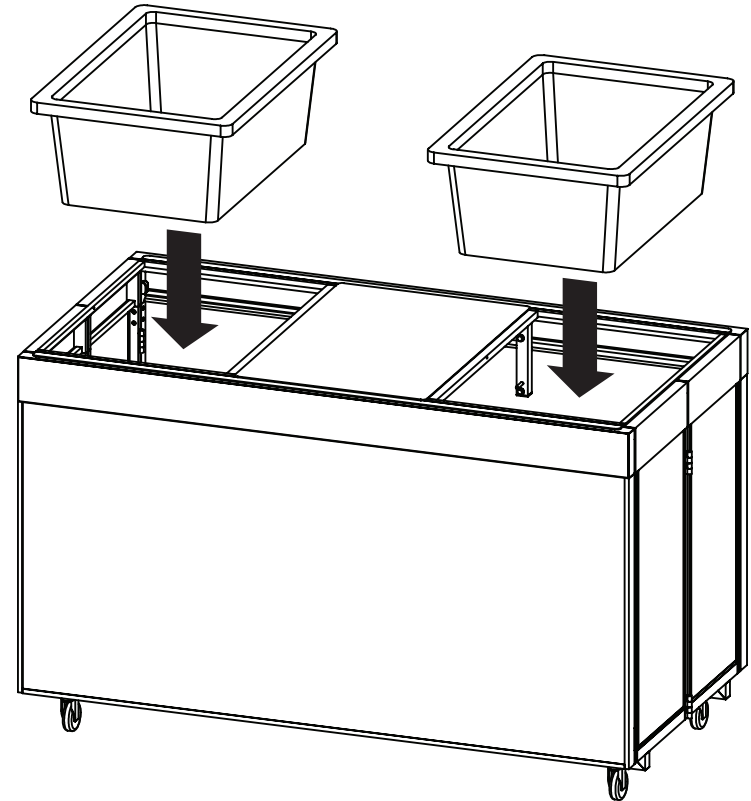


4

Step 4:
Match holes in grid
to bottom pegs.



5



6

Panel installation or removal

