

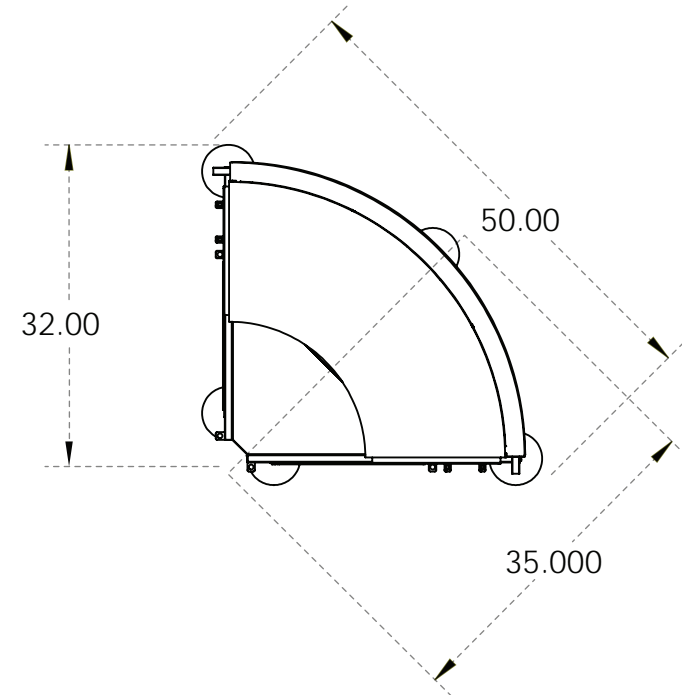
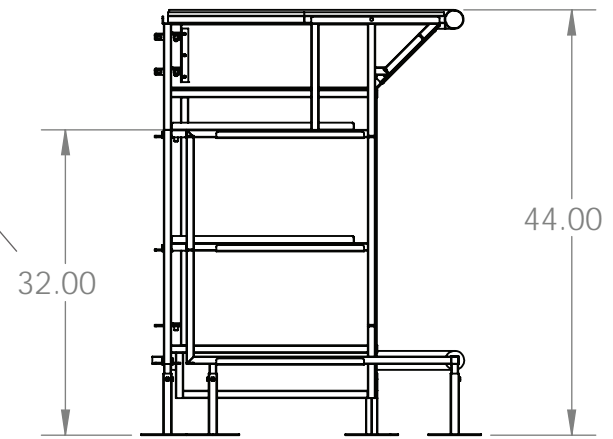


Dimensions are in inches.

Height from ground to Work Surface



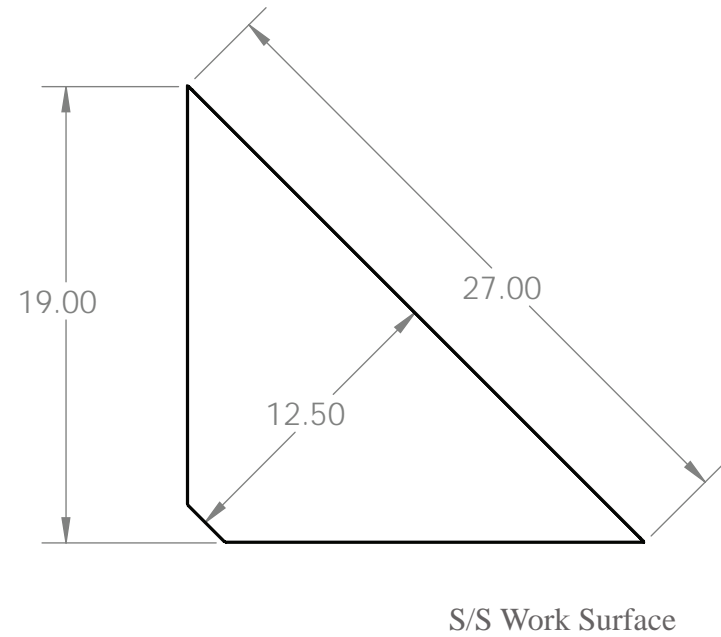
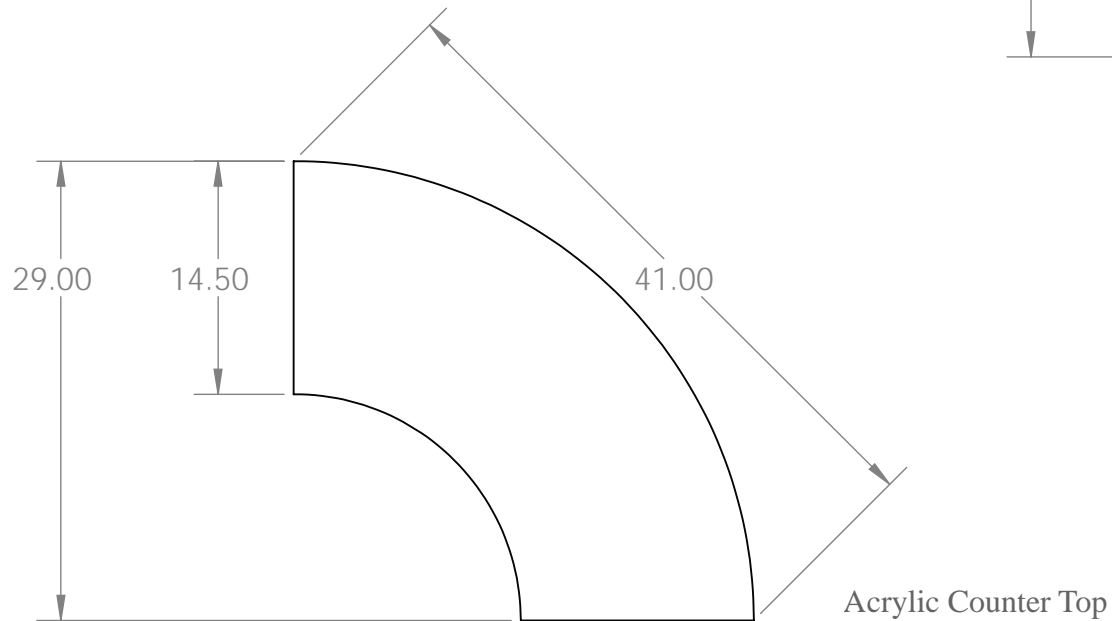
90 Degree Corner Segment Set



***Note: Images are approximate; they have been rounded to the nearest whole number.*



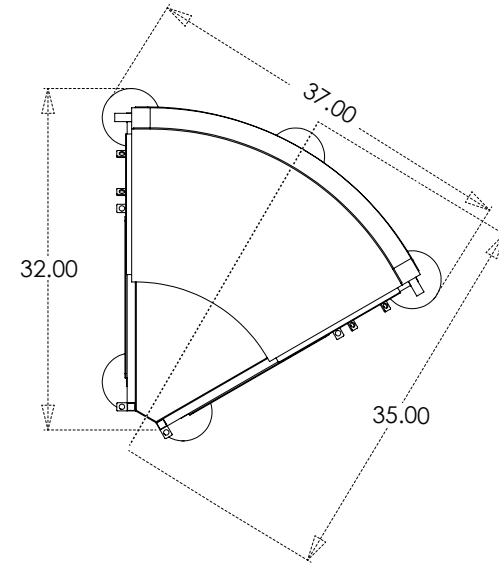
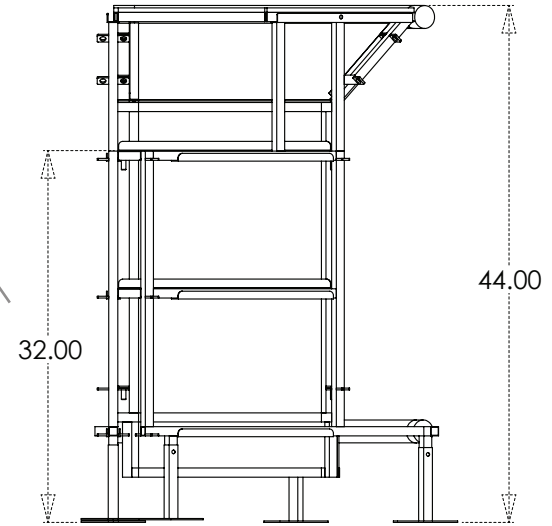
Dimensions are in inches.



***Note: Images are approximate; they have been rounded to the nearest whole number.*



Height from ground to work surface



60 Degree Corner Segment Set

** Note: Dimensions are approximate; they have been rounded to the nearest whole number.

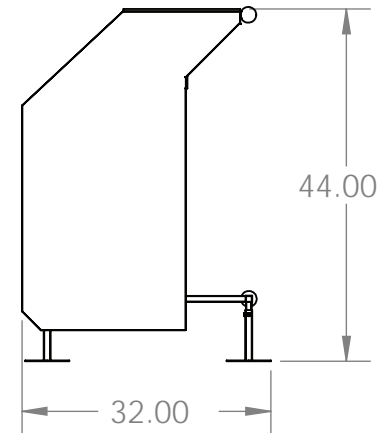
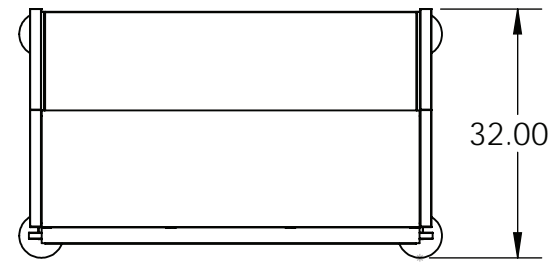
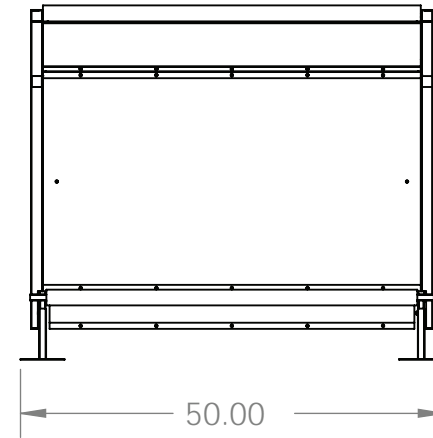


Dimensions are in inches.

Height from ground to Work Surface = 32"



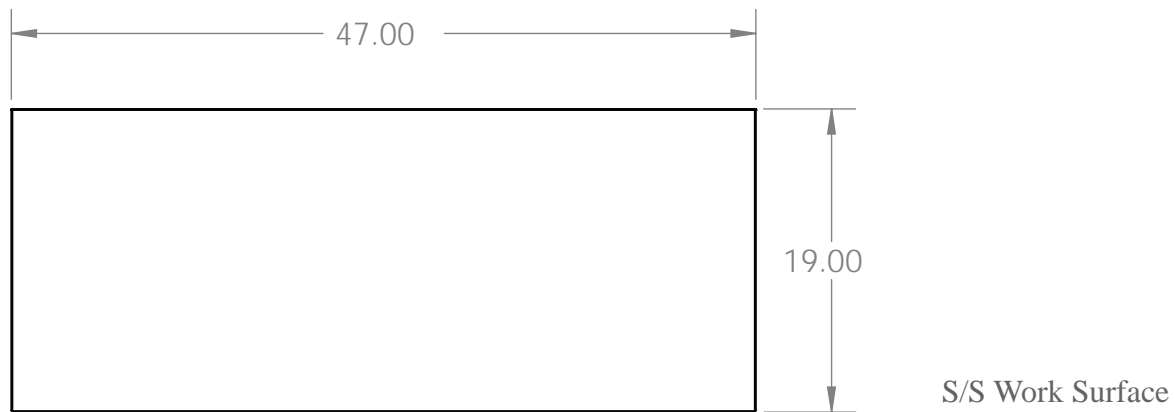
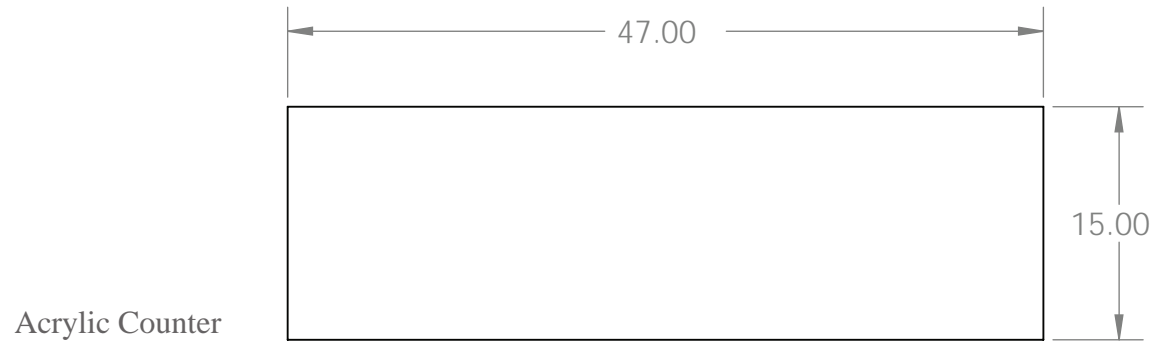
Straight Segment Set



***Note: Images are approximate; they have been rounded to the nearest whole number.*



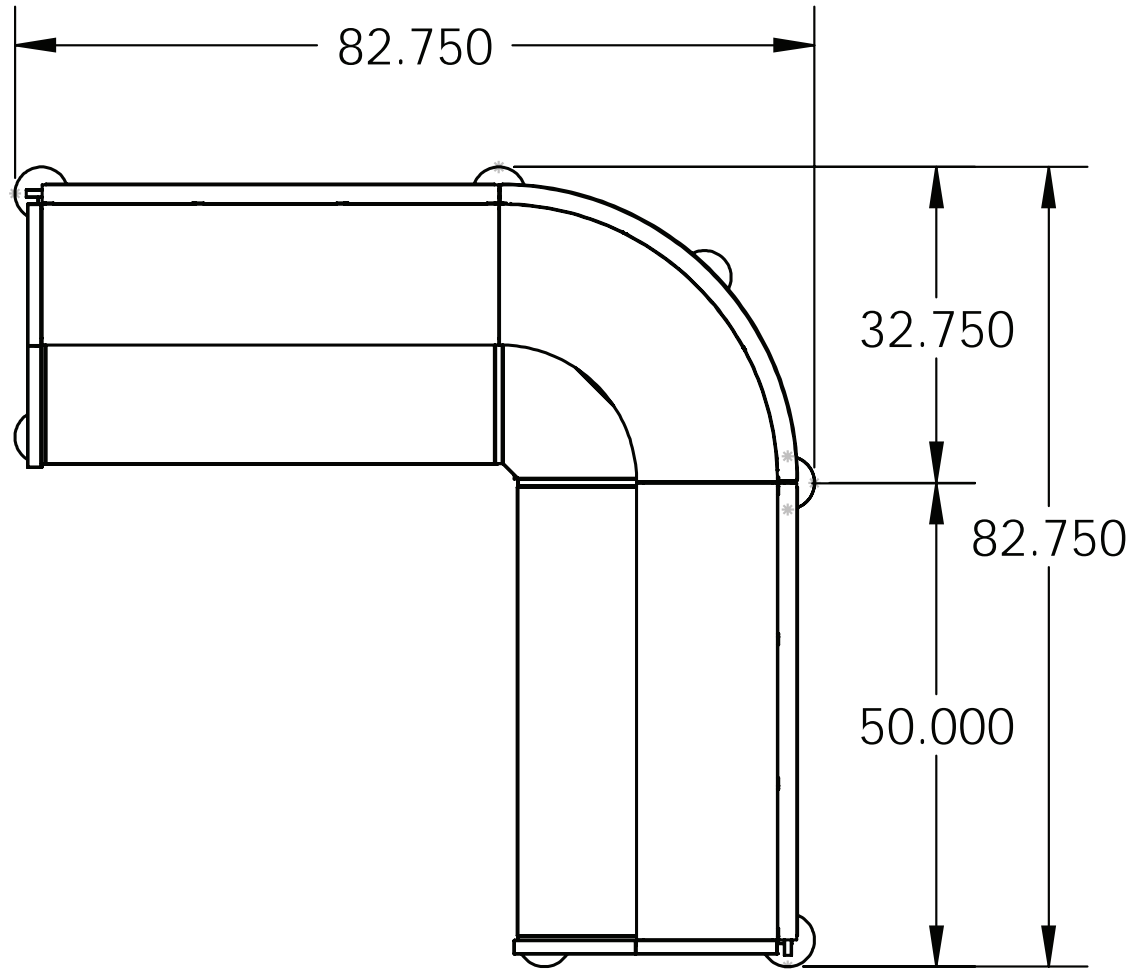
Dimensions are in inches.



***Note: Images are approximate; they have been rounded to the nearest whole number.*



Dimensions are in inches.



***Note: Images are approximate; they have been rounded to the nearest whole number.*