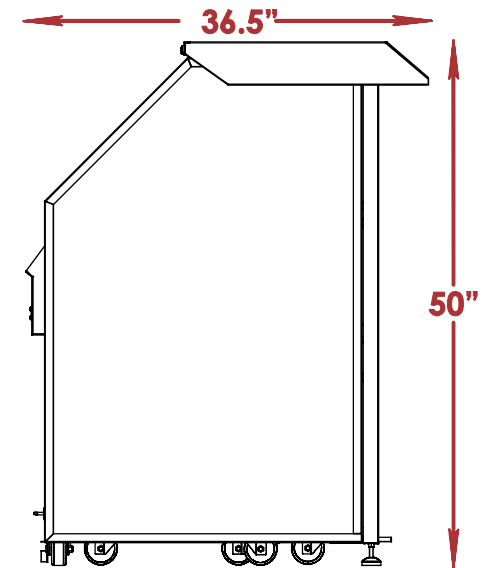
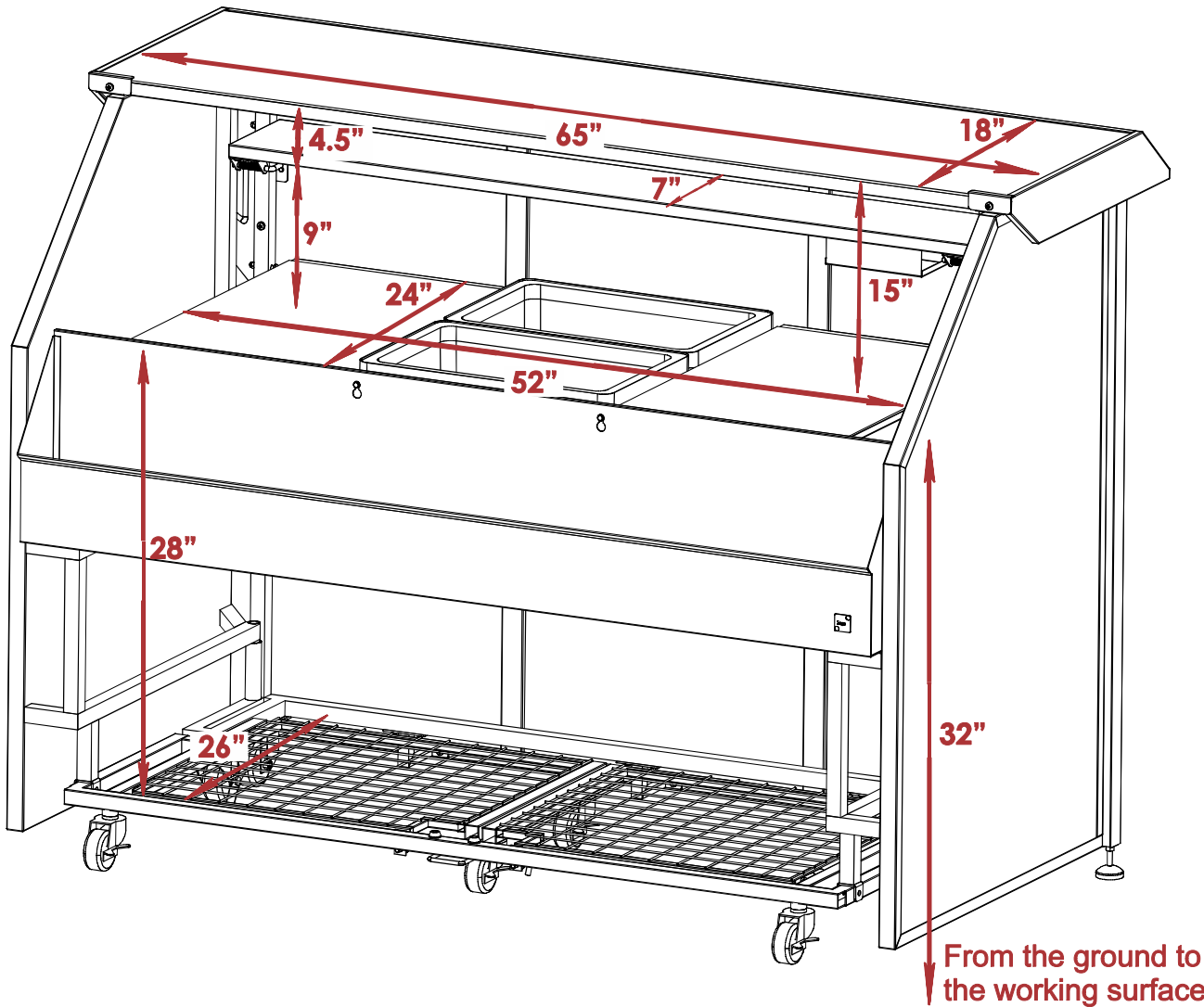


## OVERALL DIM

Height	50"
Width	65"
Depth	36.5"
Weight	270lb



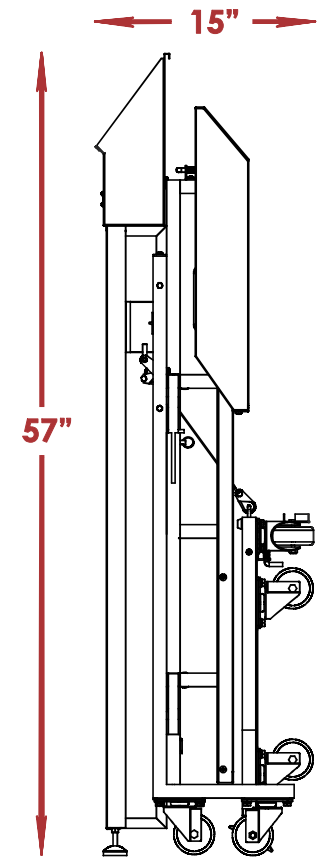
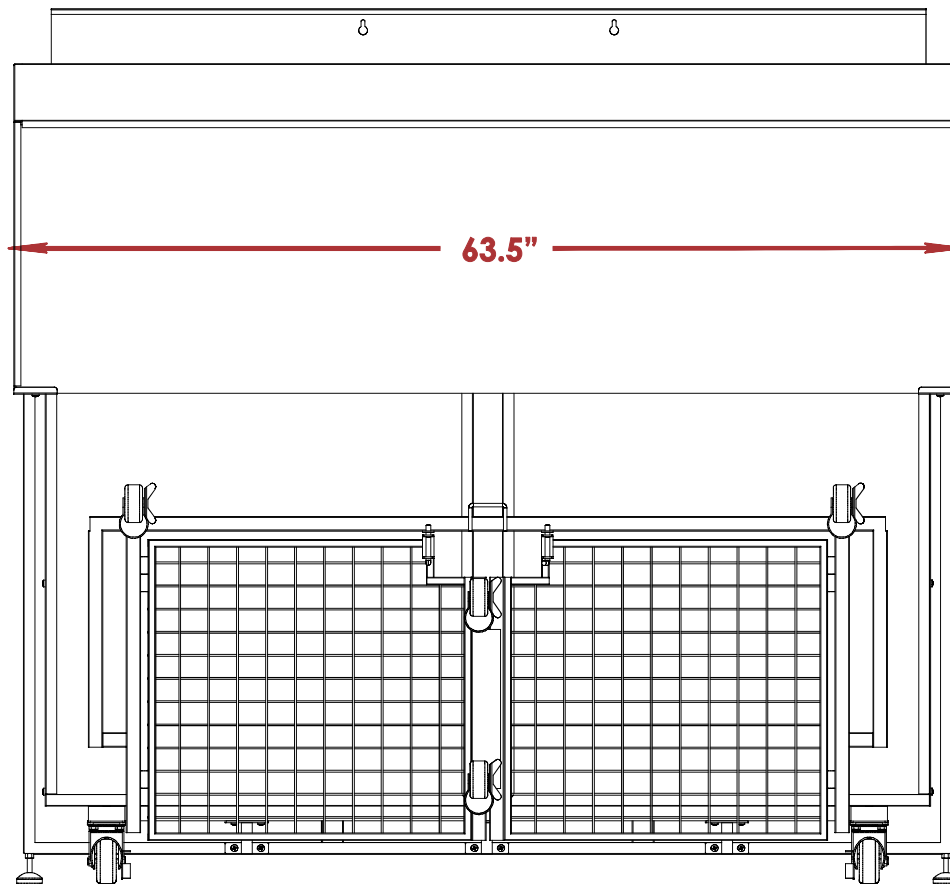
## Professional Bar

## OVERALL DIM

Height 57"

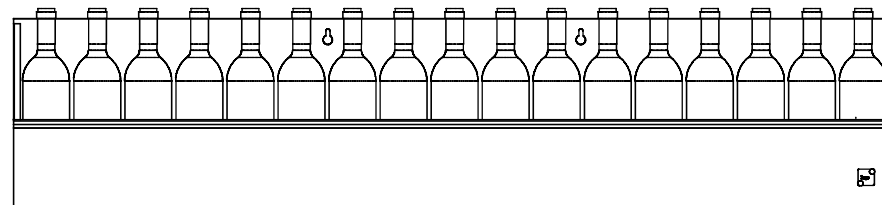
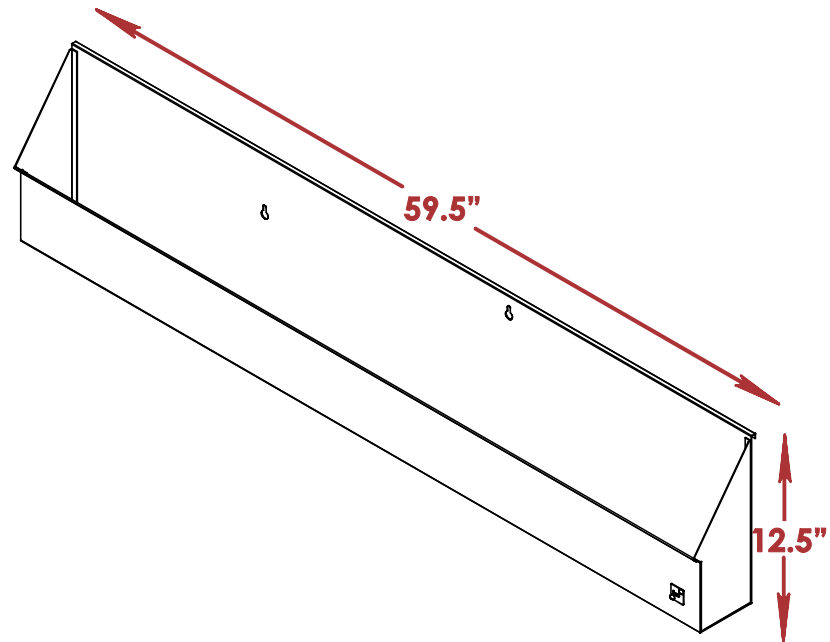
Width 63.5"

Depth 15"



# Professional Bar

## Speed Rail



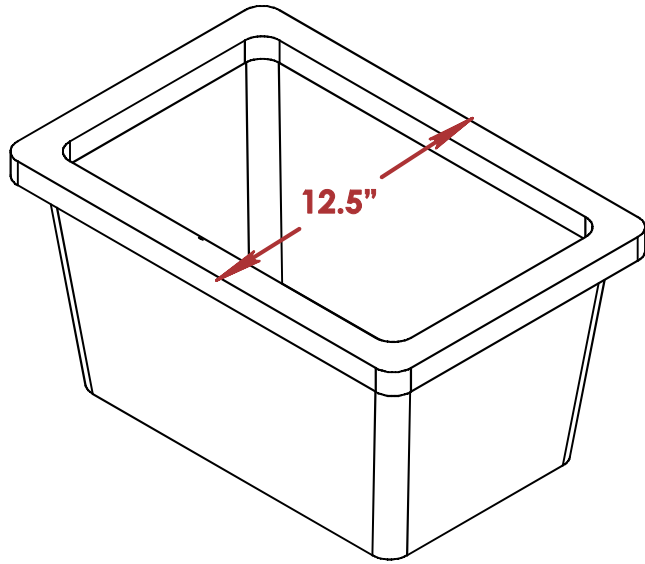
Up to 17  
bottles of wine.  
Bottle diameter: 3"



## Professional Bar

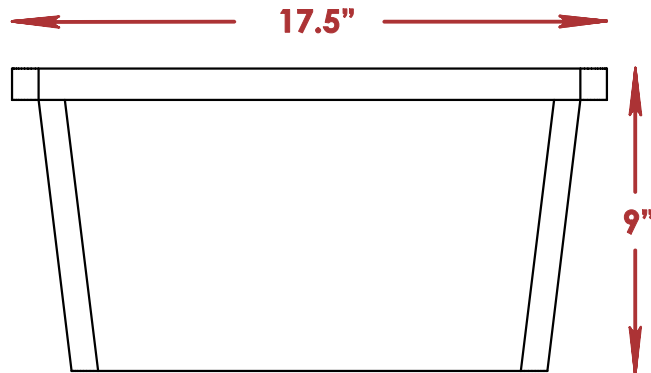
## Ice bin

Two ice bins included

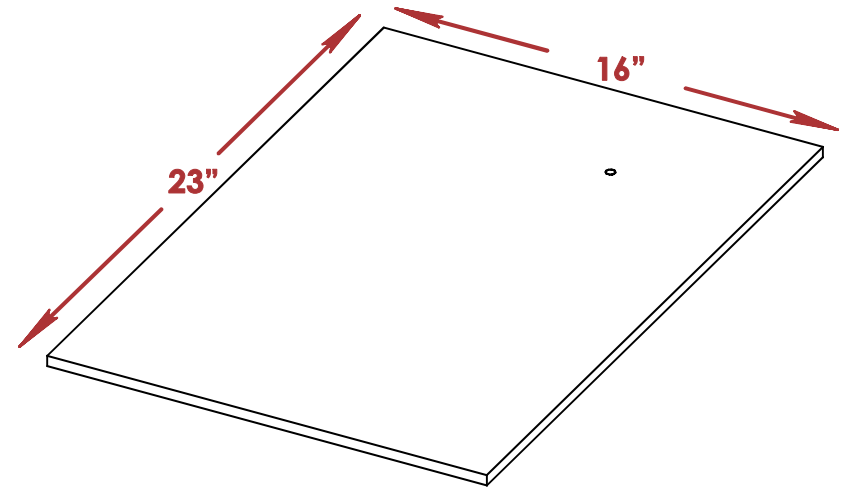


Up to 4  
bags of ice

Bags weight: 10 lb



## Cutting Board



# Professional Bar