



# PROFESSIONAL BAR SET UP GUIDE

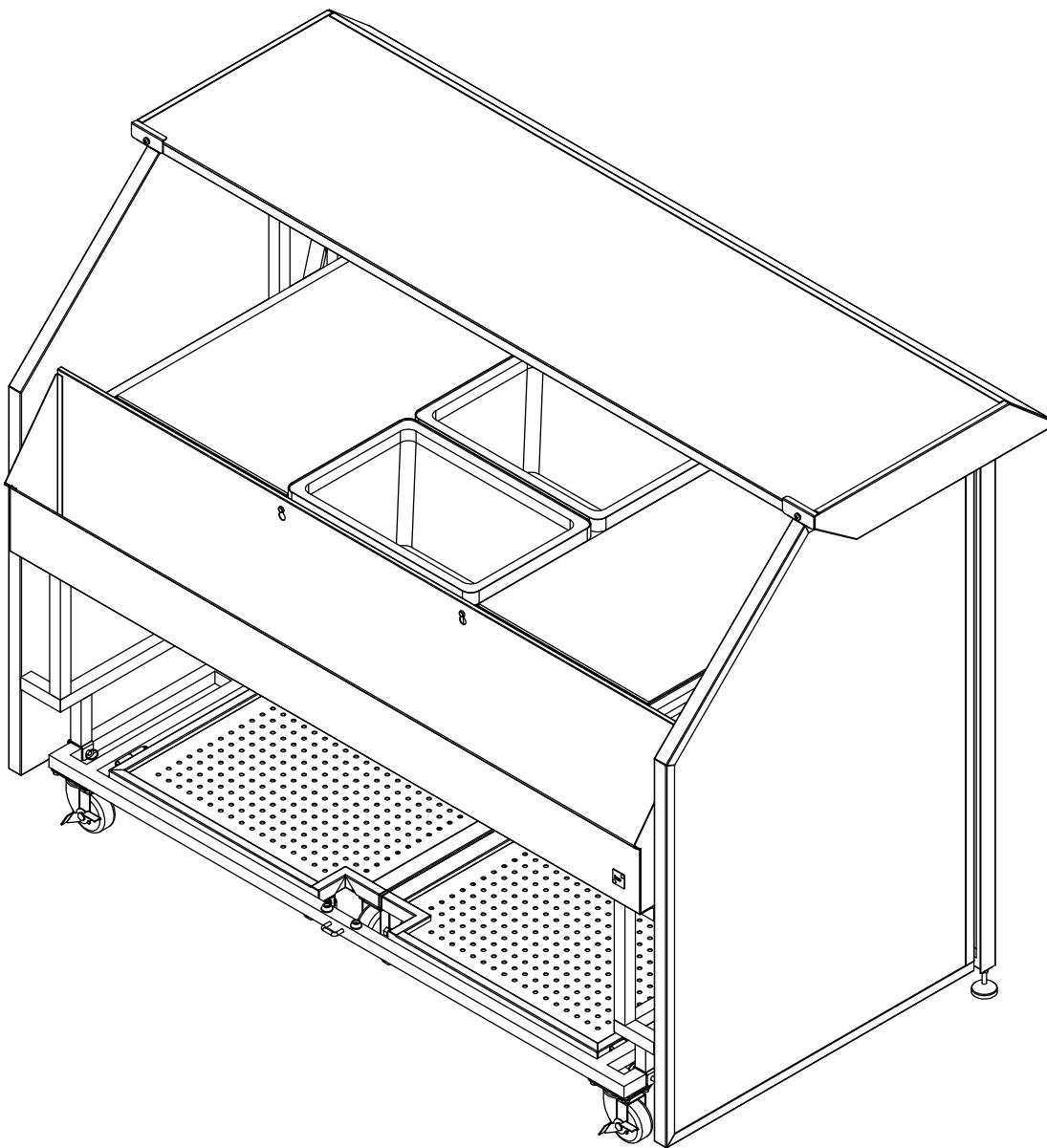
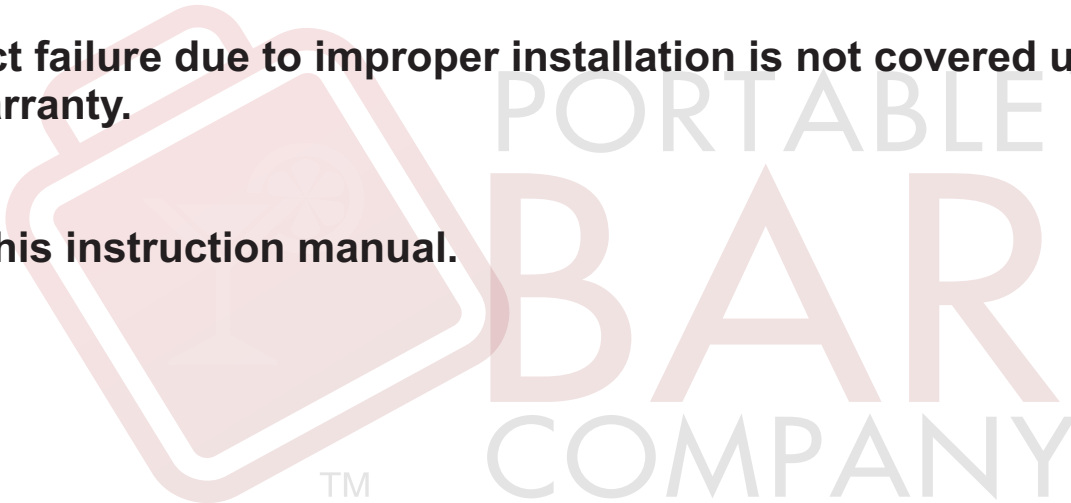


Table of contents:  
- Part List  
- Set Up Guide

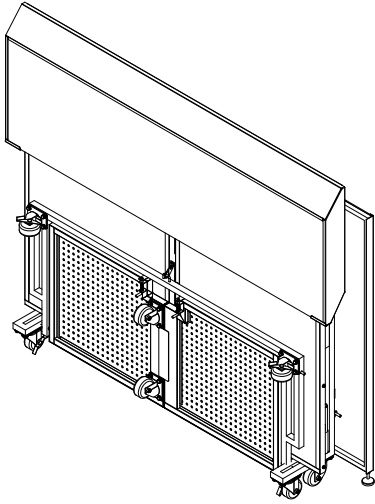
## BEFORE YOU BEGIN THE INSTALLATION

- **Read all the instructions before installing.**
- **Remove all packing materials before you start.**
- **This installation requires basic mechanical skills.**
- **Proper installation is the responsibility of the installer.**
- **Product failure due to improper installation is not covered under the warranty.**
- **Keep this instruction manual.**



*Note: You may need assistance of one or two persons to set up this bar.*

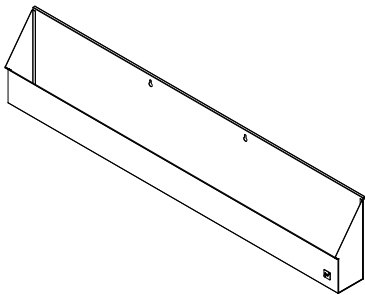
Main Frame  
QTY: 1



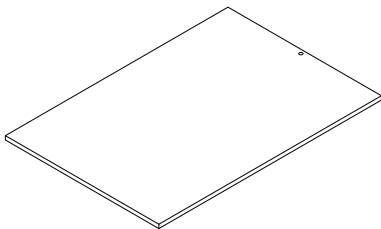
Cover  
QTY: 1

*See page 7*

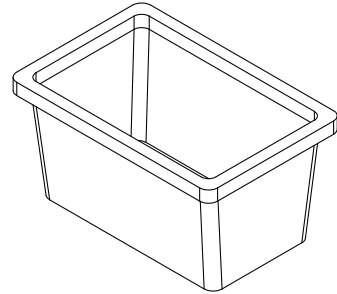
Speed Rail  
QTY: 1



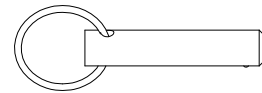
Cutting Board  
QTY: 2



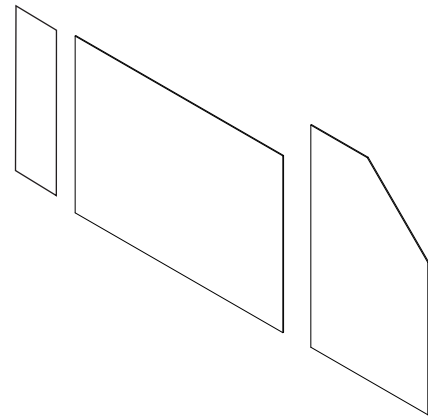
Ice Bin  
QTY: 2



Lock Pin  
QTY: 2



Acrylic Panel  
QTY: 4

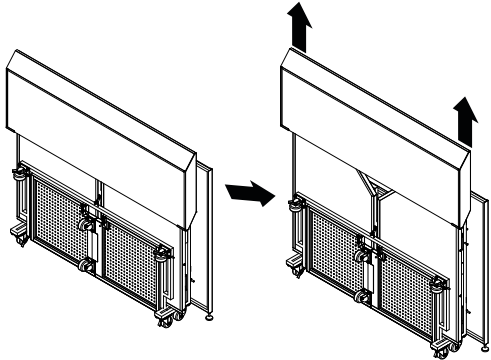


*Note: Parts are not to scale.*

# PROFESSIONAL BAR ASSEMBLY SET UP STEPS

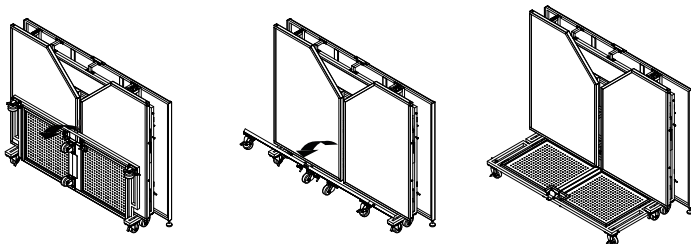
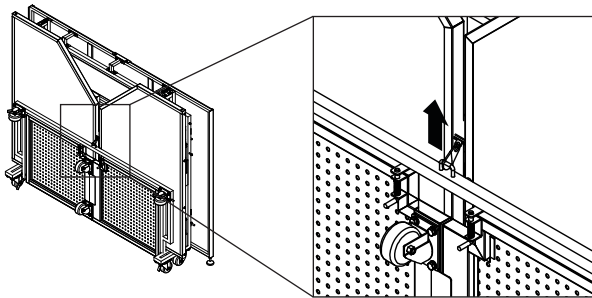
**STEP 1:** Remove the counter top.

Figure 1



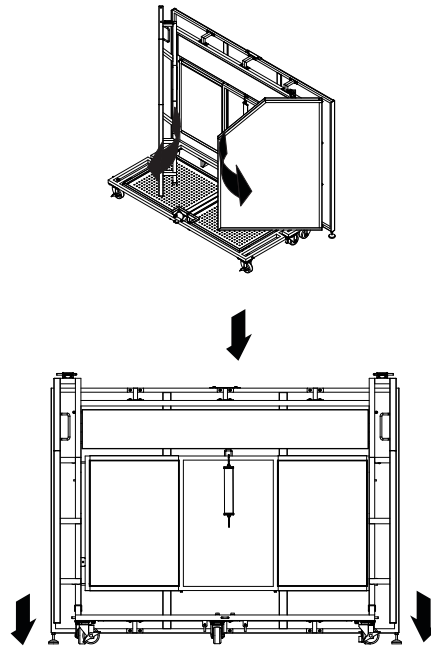
**STEP 2:** Release the bottom grill by detaching the security hook.

Figure 2



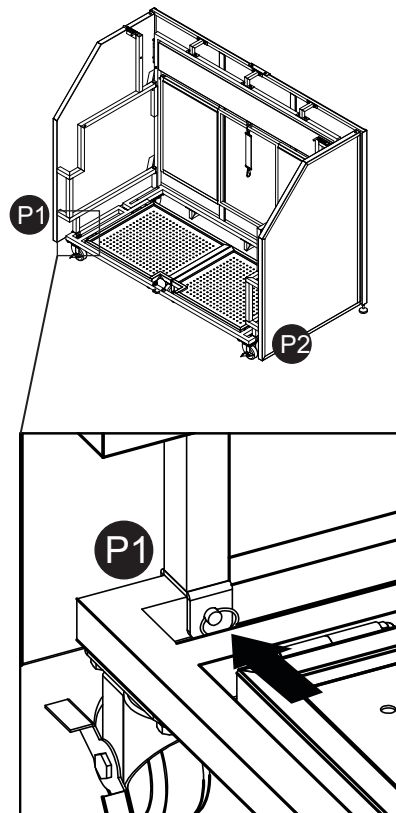
**STEP 3:** Pull the side frames. Be careful, they will fall before you fully open them.

Figure 3

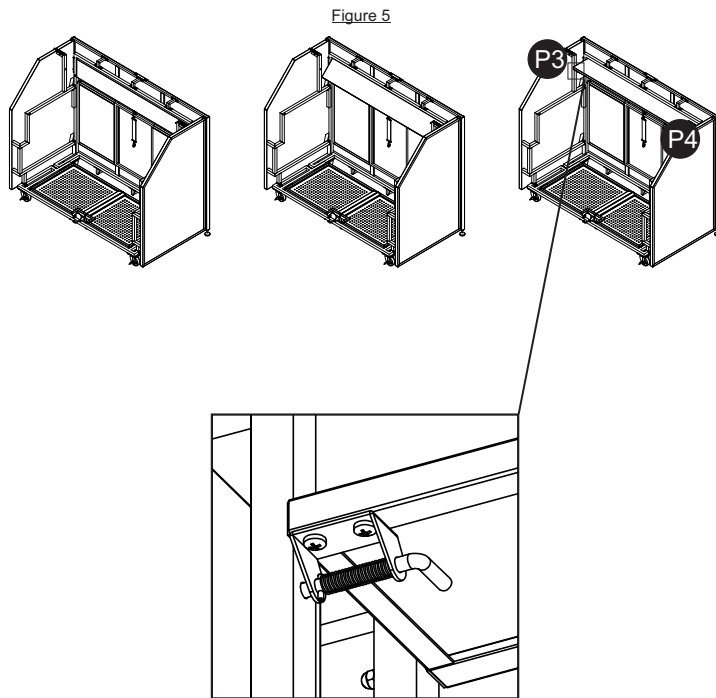


**STEP 4:** Secure the side frames in place using two locking pins, one on each frame.

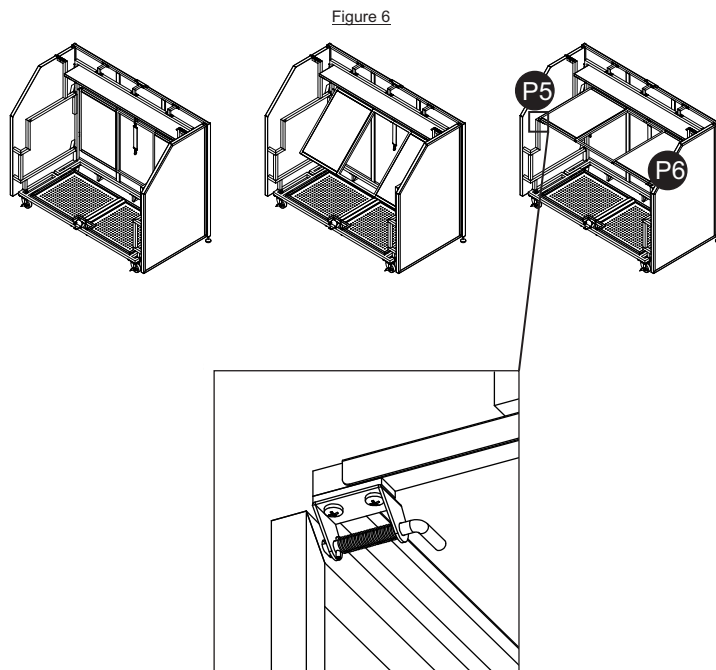
Figure 4



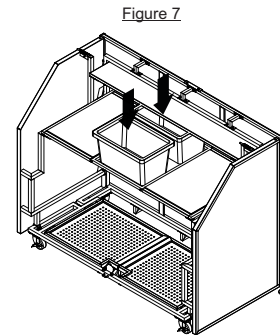
**STEP 5:** Flip the shelf up and lock it into place using the spring latches: P3 and P4.



**STEP 6:** Flip the table and lock it into place using the spring latches P5 and P6.

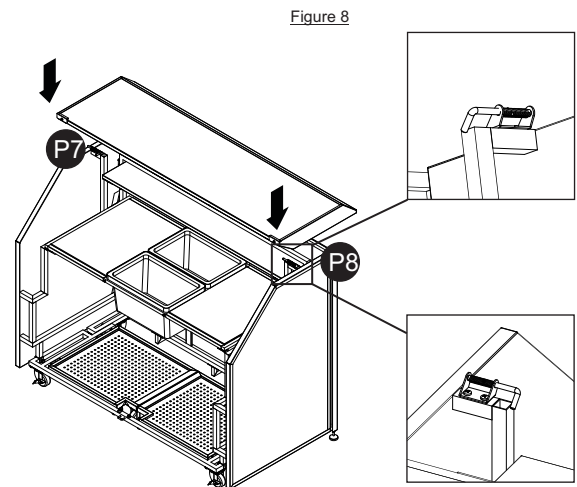


**STEP 7:** Place the icebins.



Note: The positions of the cutting board and the ice bins are interchangeable

**STEP 8:** Place the counter top. Then lock it in place using the spring latches P7 and P8. Before placing the counter top you can retain both spring latches with the inner frame for ease of placing the counter top.



**STEP 9:** Place the speed rail.

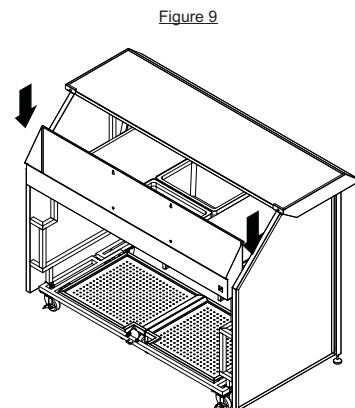
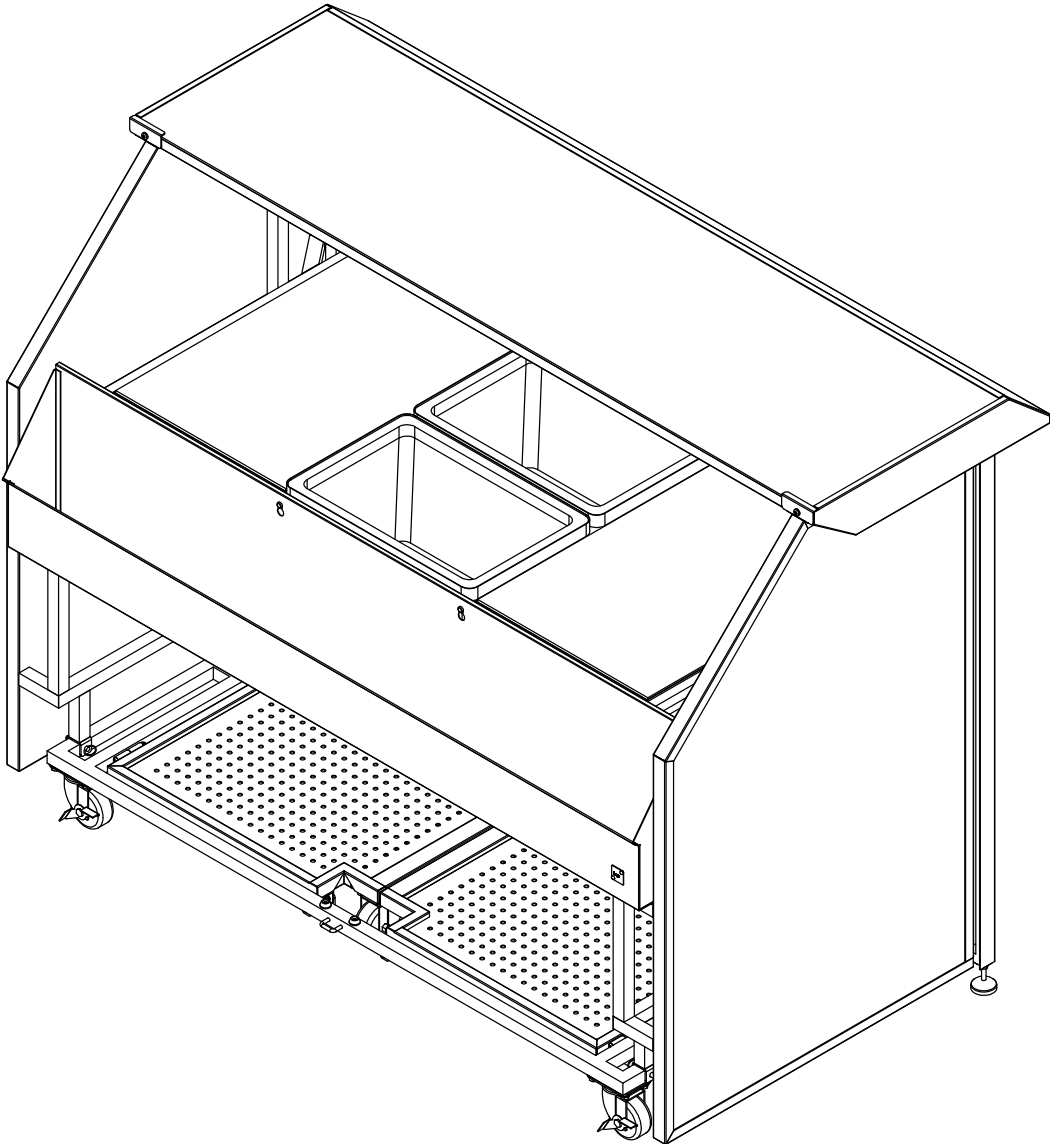


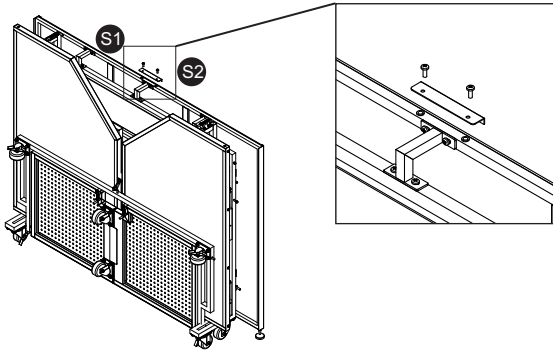
Figure 10. Full Assembly.



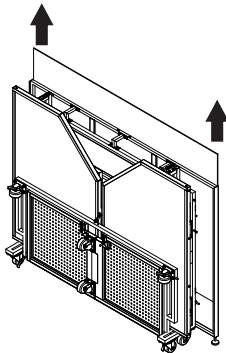
## How to remove the acrylic panels if needed

### Back Panel

**STEP 1:** Remove screws **S1** and **S2**. Then remove the tab as shown below.

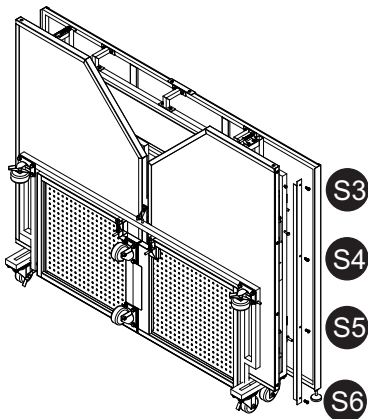


**STEP 2:** Pull up the acrylic panel.

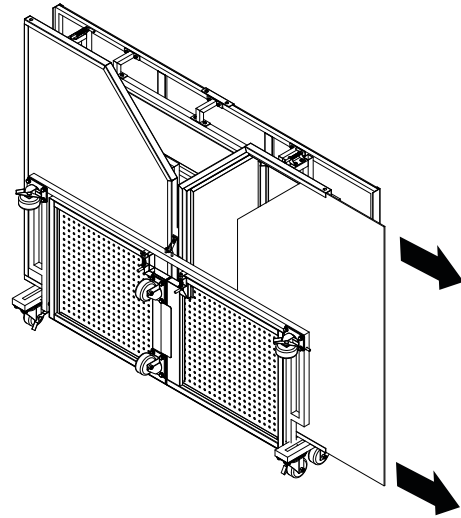


### Side Panel

**STEP 1:** Remove screws **S3**, **S4**, **S5** and **S6**. Then remove the side frame as in the next step.

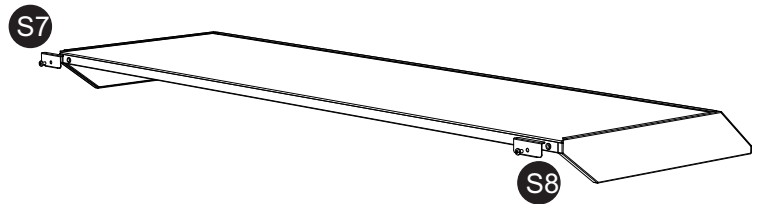


**STEP 2:** Slide out the side panel.

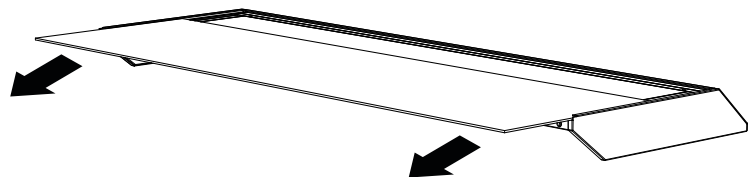


### Top Panel

**STEP 1:** Remove screws **S7** and **S8**. Then remove the tabs.



**STEP 2:** Pull the acrylic panel.



# PROFESSIONAL BAR COVERS







## Contact us

Tel # 877-958-7901

Fax # 866-659-3353

E-mail: [info@theportablebarcompany.com](mailto:info@theportablebarcompany.com)

## Visit us at

[www.theportablebarcompany.com](http://www.theportablebarcompany.com)

