



RUSTIC STANDARD BAR SET UP GUIDE

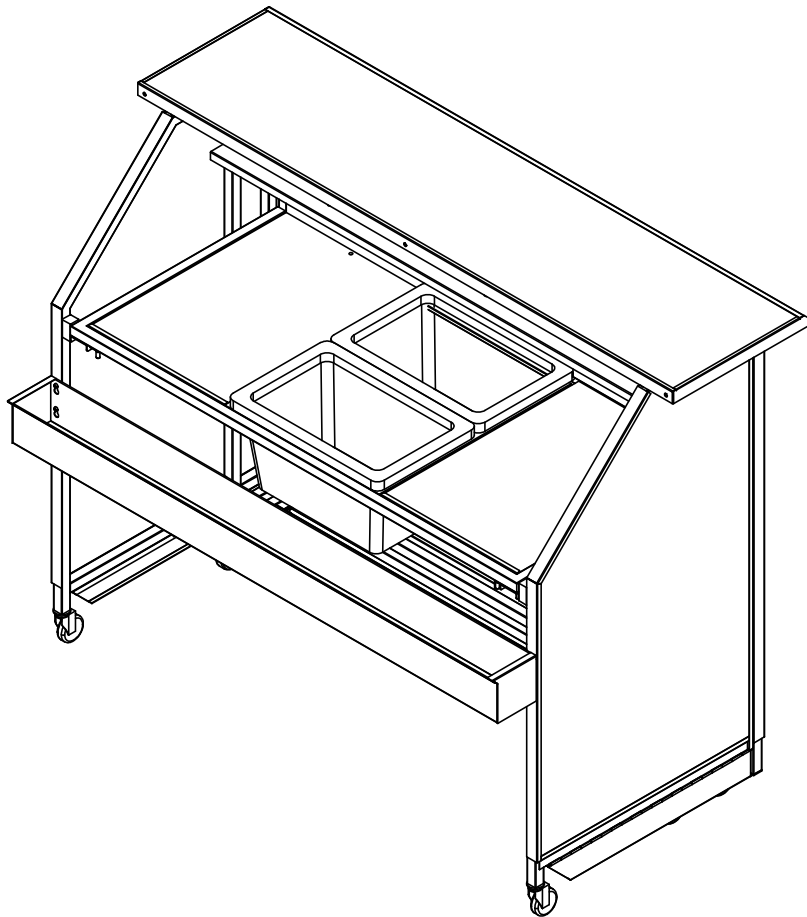


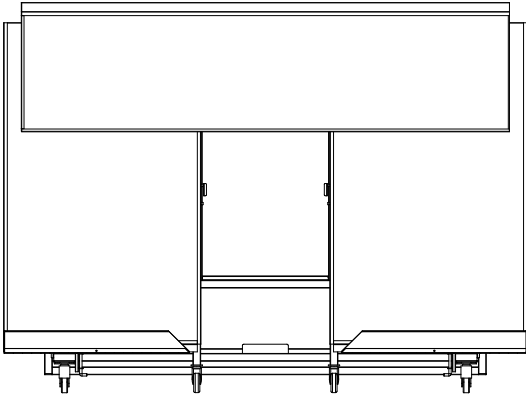
Table of contents:
- Part List
- Set Up Guide

BEFORE YOU BEGIN THE INSTALLATION

- **Read all the instructions before installing.**
- **Remove all packing materials before you start.**
- **This installation requires basic mechanical skills.**
- **Proper installation is the responsibility of the installer.**
- **Product failure due to improper installation is not covered under the warranty.**
- **Keep this instruction manual.**



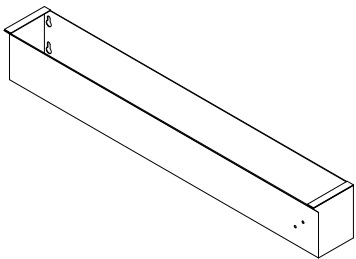
Main Frame
QTY: 1



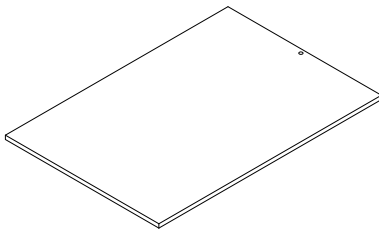
Cover
QTY: 1

See page 7

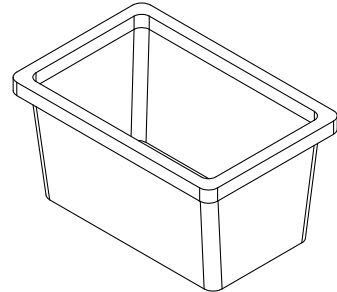
Speed Rail
QTY: 1



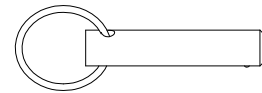
Cutting Board
QTY: 2



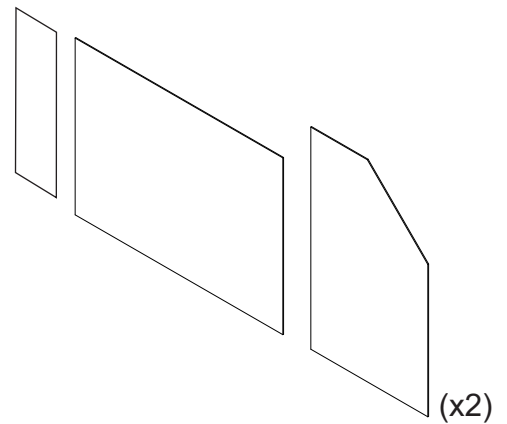
Ice Bin
QTY: 2



Lock Pin
QTY: 5



Acrylic Panel
QTY: 4

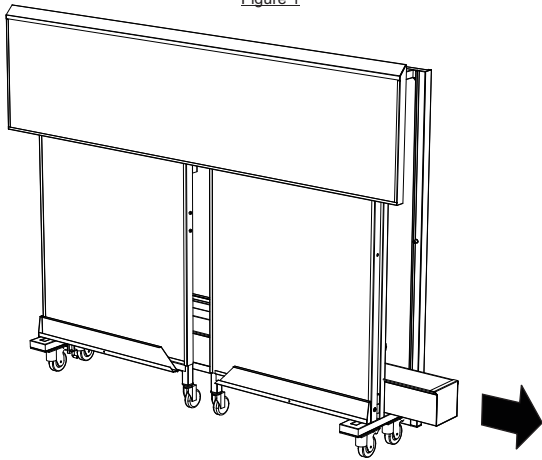


Note: Parts are not to scale.

RUSTIC STANDARD BAR ASSEMBLY SET UP STEPS

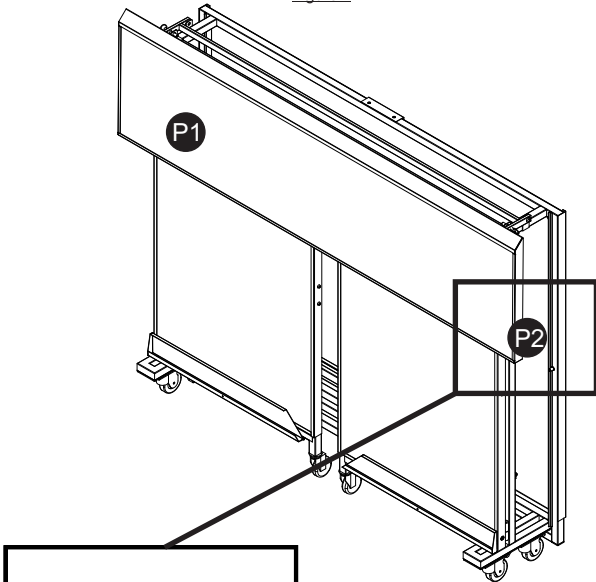
STEP 1: Remove the speed rail from the bottom.

Figure 1

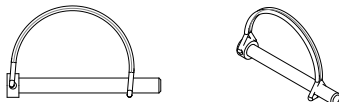


STEP 2: Remove lock pins P1 and P2 to release the counter top.

Figure 2

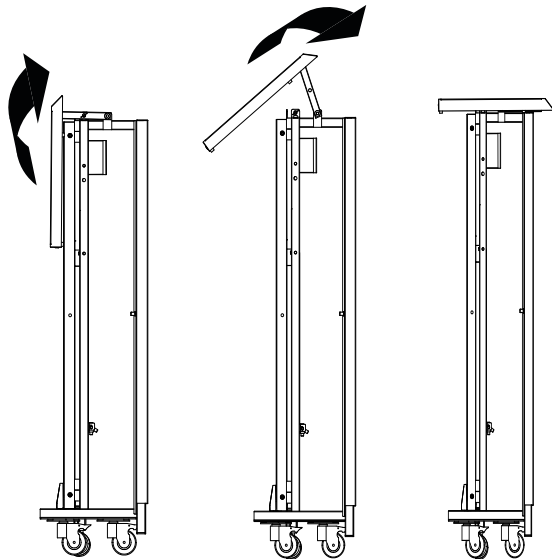


Note: Pins P1 and P2 may look like the pin below:



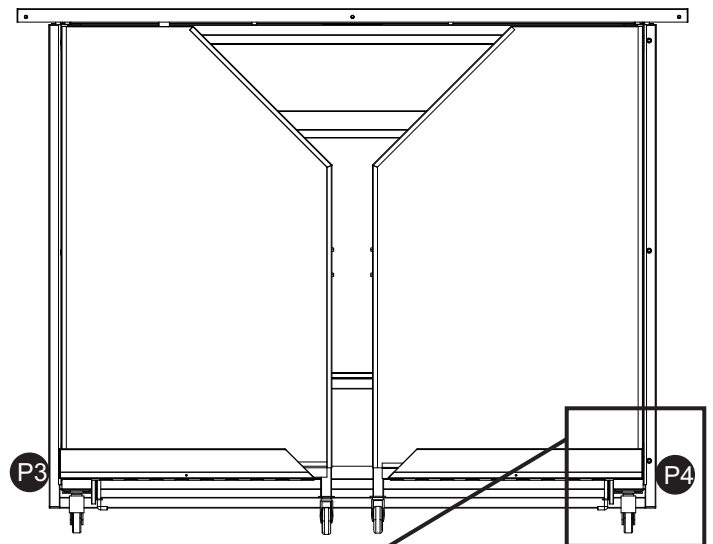
STEP 3: Flip the counter top as shown below.

Figure 3



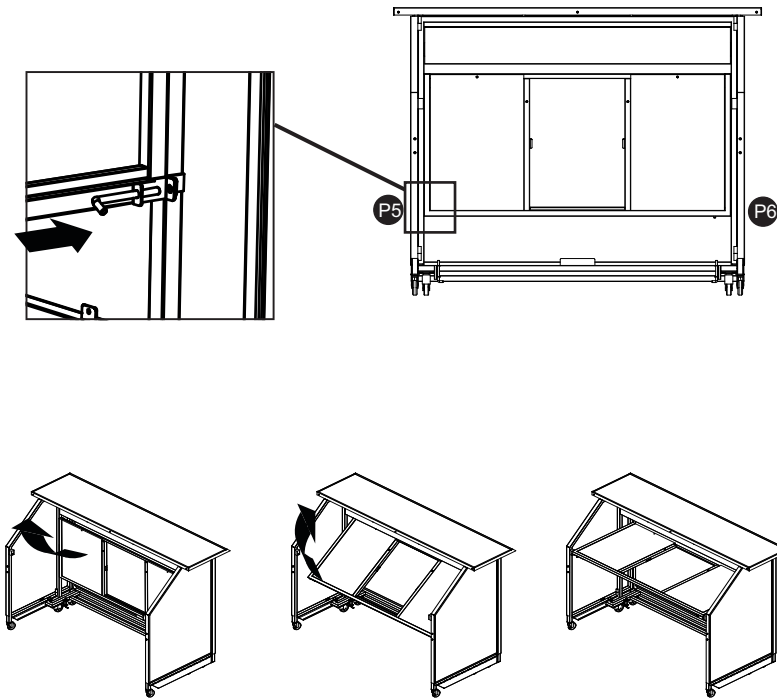
STEP 4: Pull down the spring latches P3 and P4 to release the side frames.

Figure 4



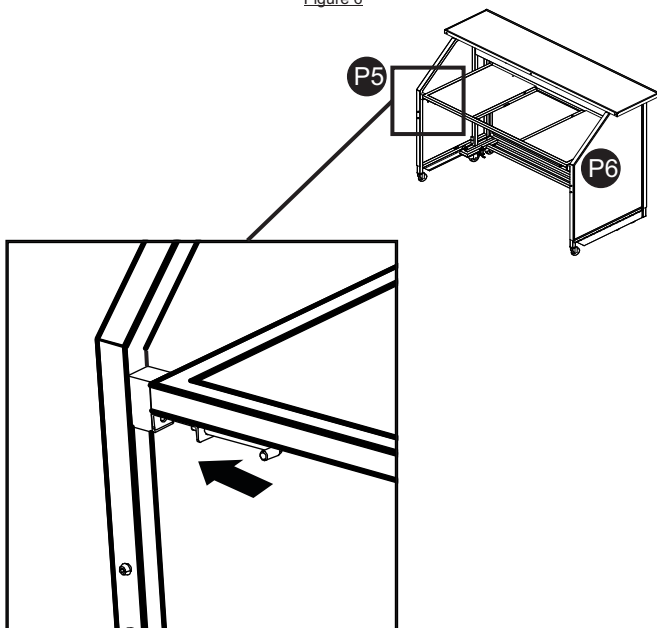
STEP 5: Pull the spring latches **P5** and **P6** to release the table frame and flip the table up.

Figure 5



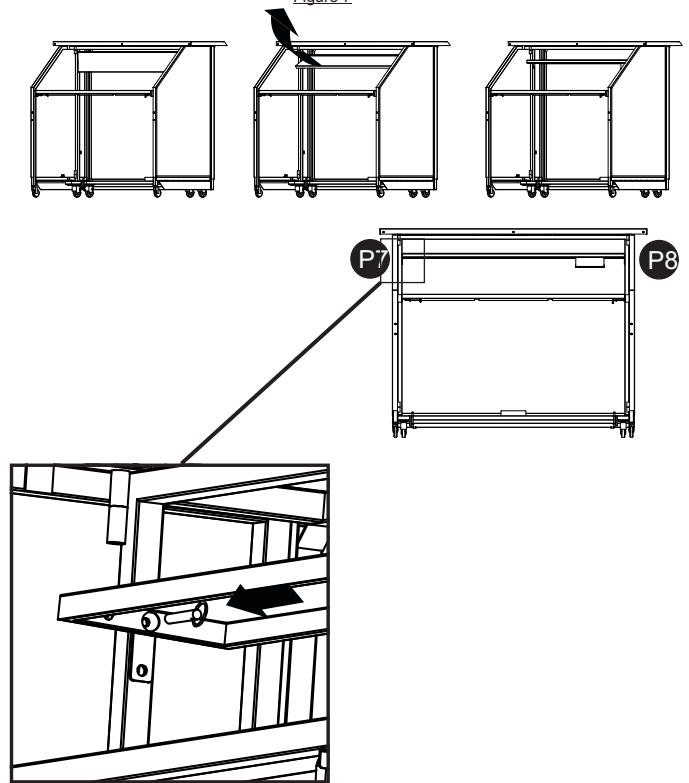
STEP 6: Lock the table into place using the same spring latches **P5** and **P6**.

Figure 6



STEP 7: Flip the shelf up and lock it into place using two lock pins **P7** and **P8**.

Figure 7



STEP 8: Add the ice bins and hang the speed rail as shown below.

Figure 8

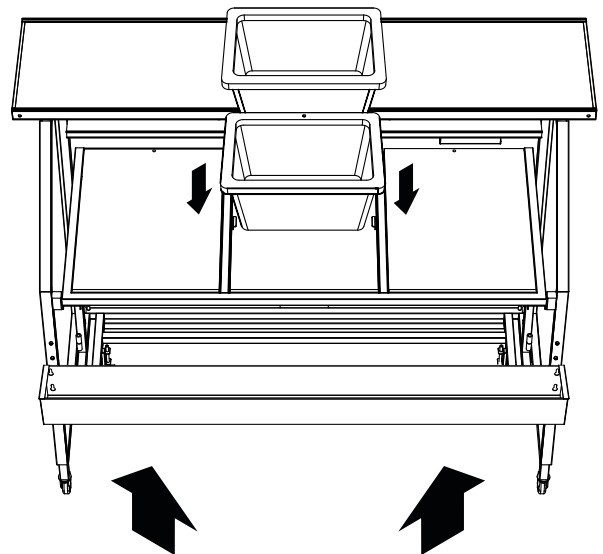
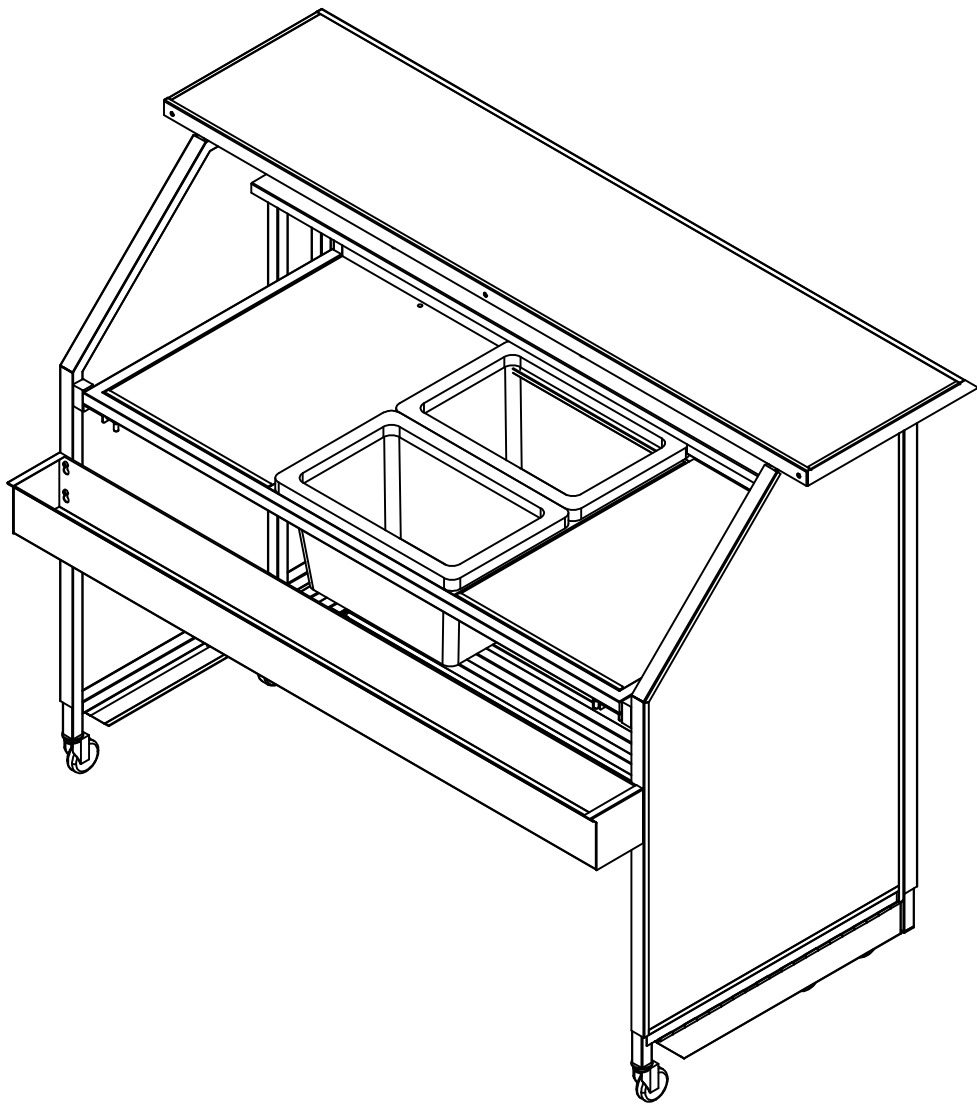


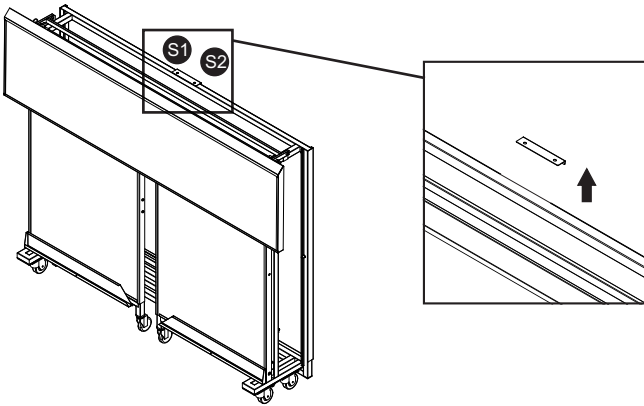
Figure 10. Full Assembly.



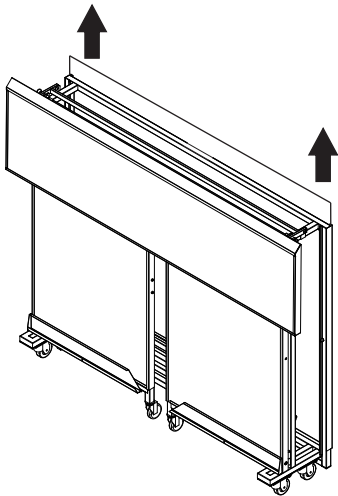
How to remove the acrylic panels if needed

Back Panel

STEP 1: Remove screws **S1** and **S2**. Then remove the tab as shown below.

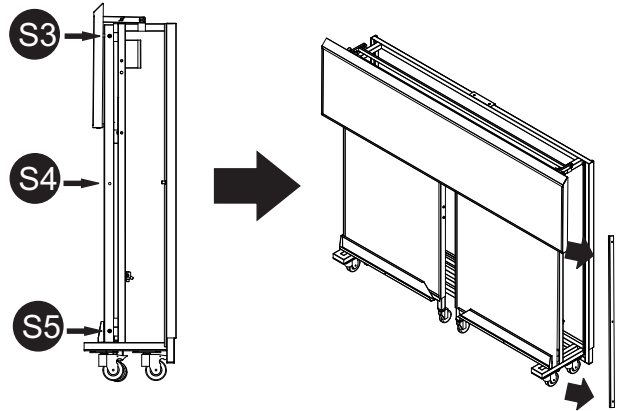


STEP 2: Pull up the acrylic panel.

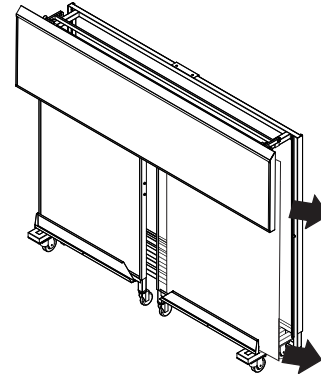


Side Panels

STEP 1: Remove screws **S3**, **S4** and **S5**. Then remove the side frame as shown below.

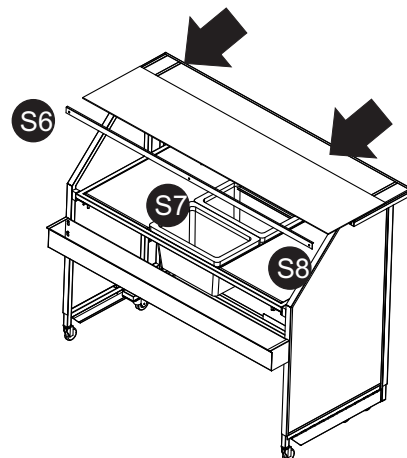


STEP 2: Slide out the side panel.



Top Panel

STEP 1: Remove screws **S6**, **S7** and **S8**. Then remove the side frame as shown below. Slide out the panel.



RUSTIC STANDARD BAR COVERS





Contact us

Tel # 877-958-7901

Fax # 866-659-3353

E-mail: info@theportablebarcompany.com

Visit us at

www.theportablebarcompany.com

