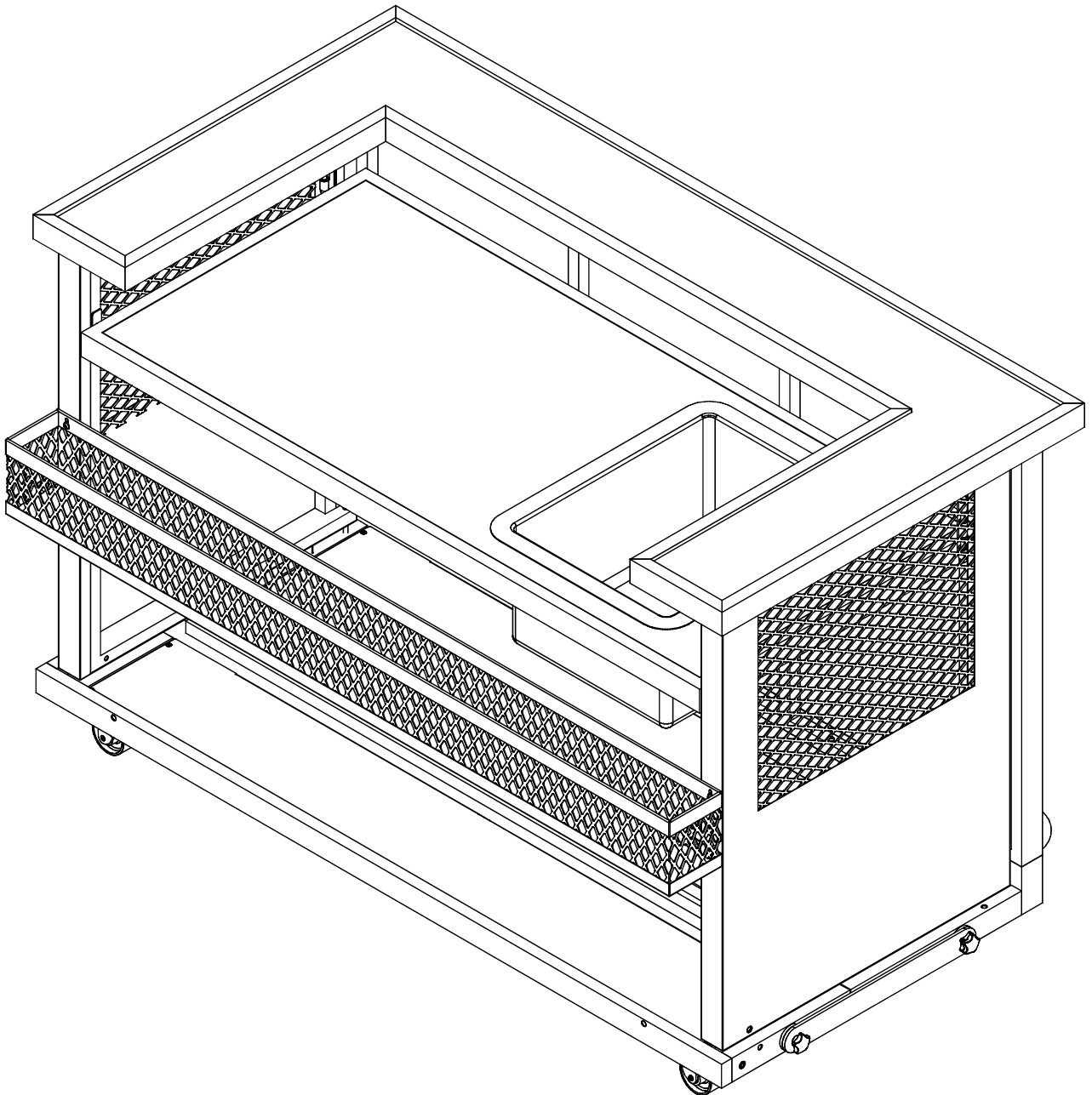




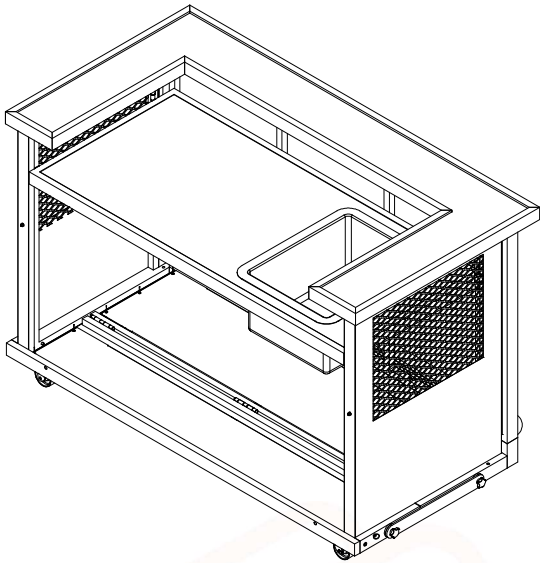
# DISTRESSED BAR SETUP GUIDE



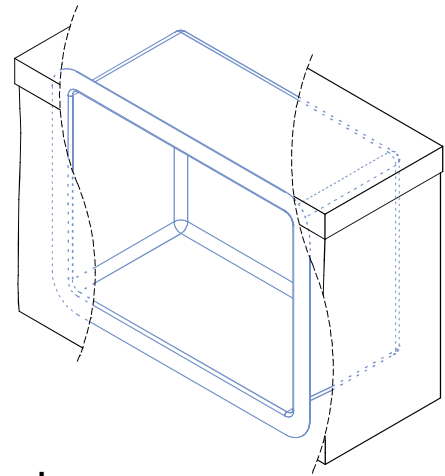
- **Read all the instructions before installing.**
- **Remove all packing materials before you start.**
- **This installation requires basic mechanical skills.**
- **Proper installation is the responsibility of the installer.**
- **Product failure due to improper installation is not covered under the warranty.**
- **Keep this instruction manual.**

*Note: This setup requires 2 or more persons.*

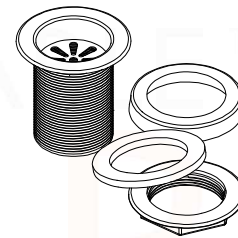
Main Frame  
QTY: 1



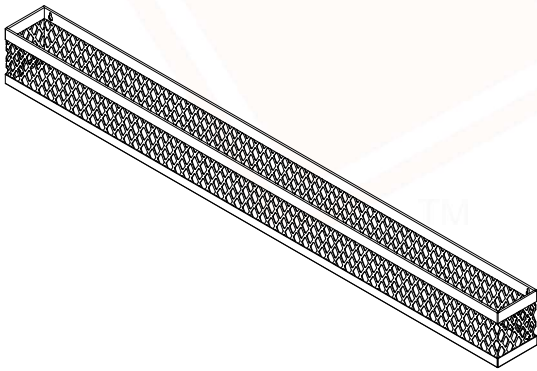
Ice bin/Cover  
QTY: 1



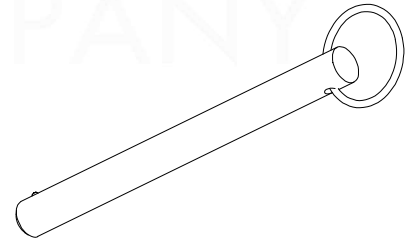
Drainer  
QTY: 1



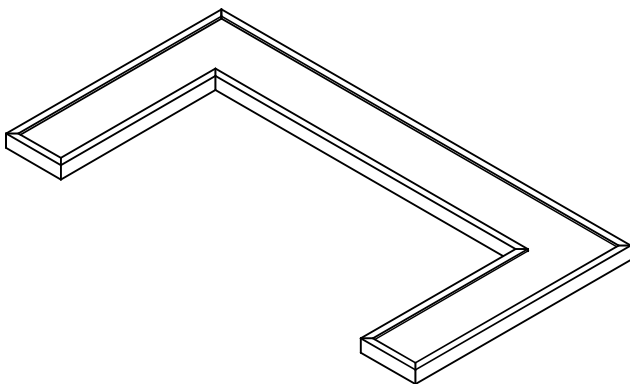
Speed Rail  
QTY: 1



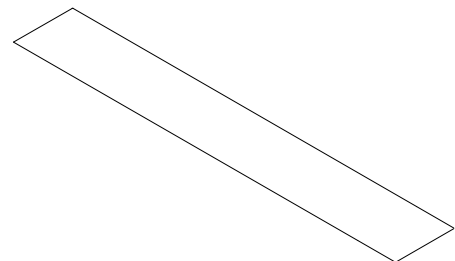
Locking Pin  
QTY: 2



Counter  
QTY: 1



Laminated Base  
Panels (Add-on only)  
QTY: 2



*Note: Parts are not to scale.*

**WARNING:** Please take the bar out of the pallet with extreme caution. The bar is heavier than it looks. You will need the assistance of 2 or more persons.

TO COMPLETE THE SETUP OF THE BAR:

**STEP 1:** Mount the speed rail to the bar, as shown below:

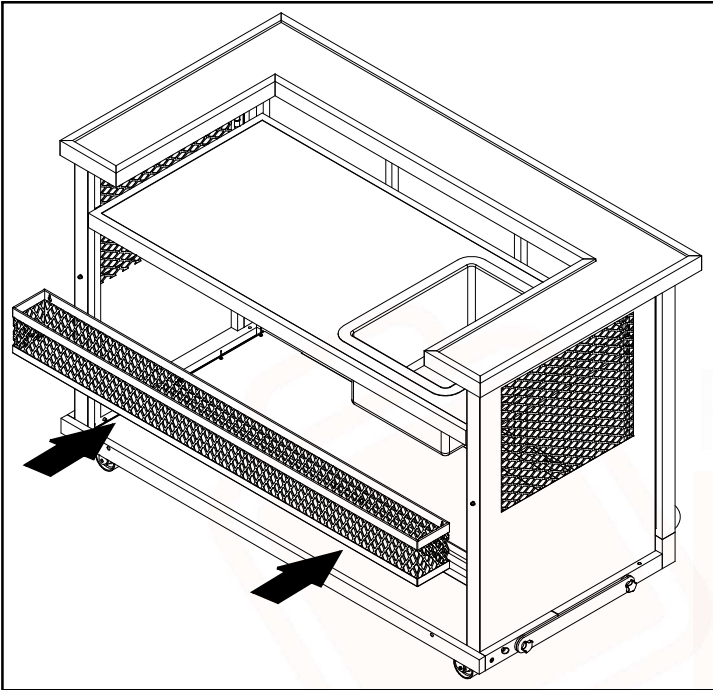


Figure 1

**STEP 2:** Install the drainer as shown below:

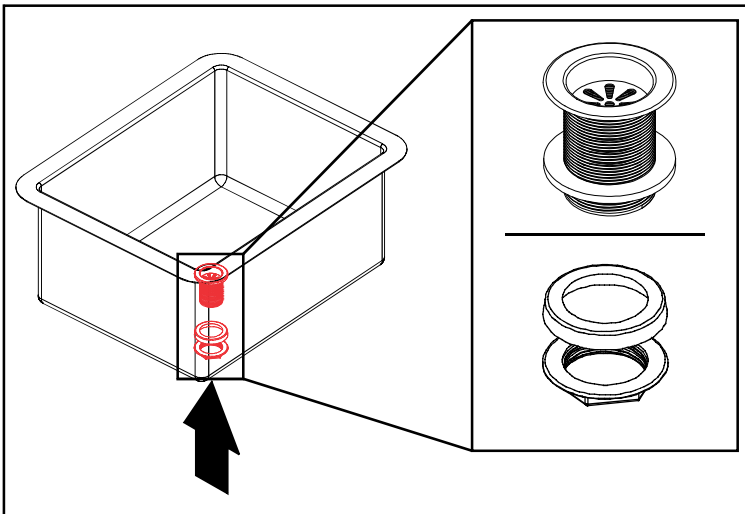


Figure 2

DISASSEMBLY STEPS:

**STEP 1:** Dismount the speed rail.

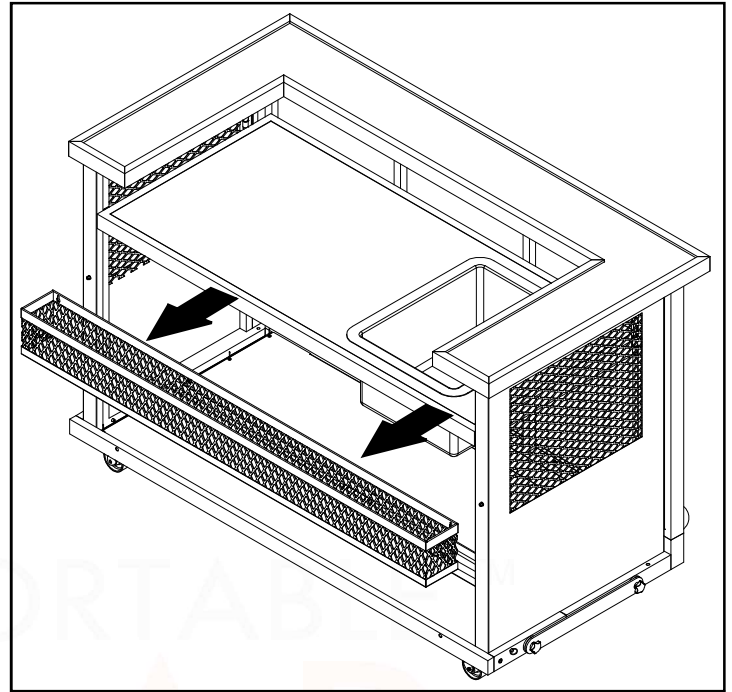


Figure 3

**STEP 2:** Take the icebin out.

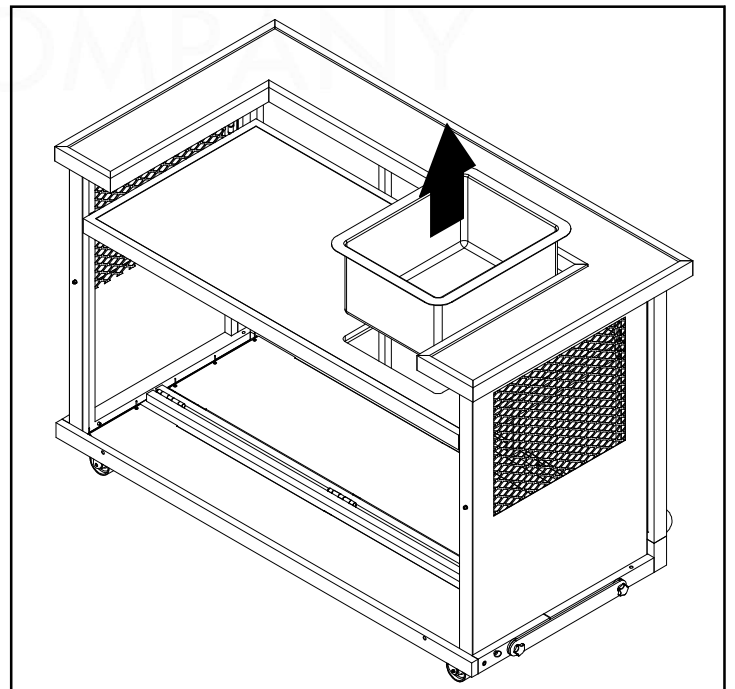


Figure 4

**STEP 3:** Use the spring latches located at the sides of the counter to release it.

*Note: This step requires two people.*

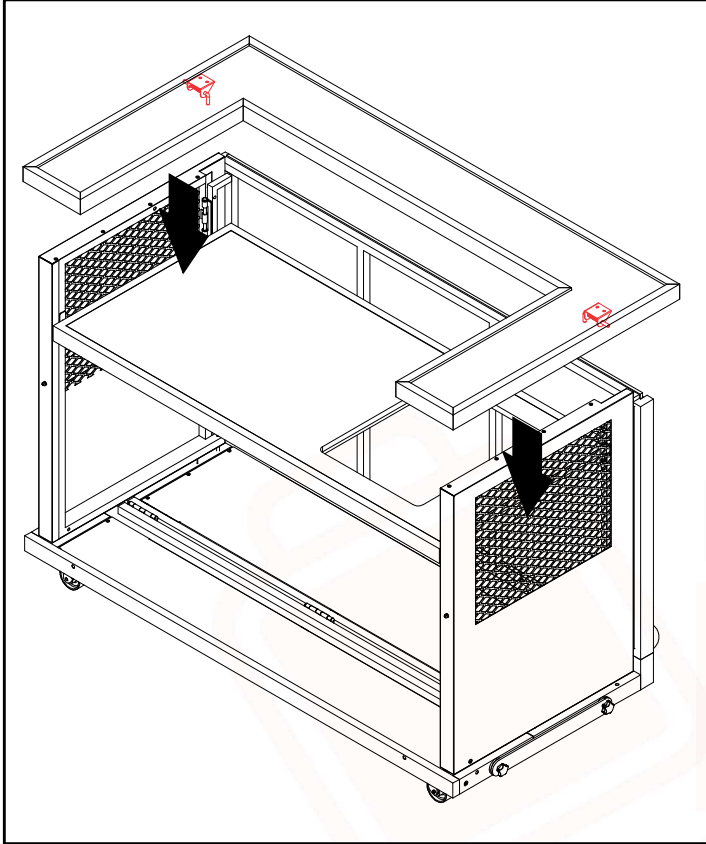


Figure 5

**STEP 4:** Use the spring latches located at both sides of the shelf to release it. Do it carefully, once you release it the shelf will fold down.

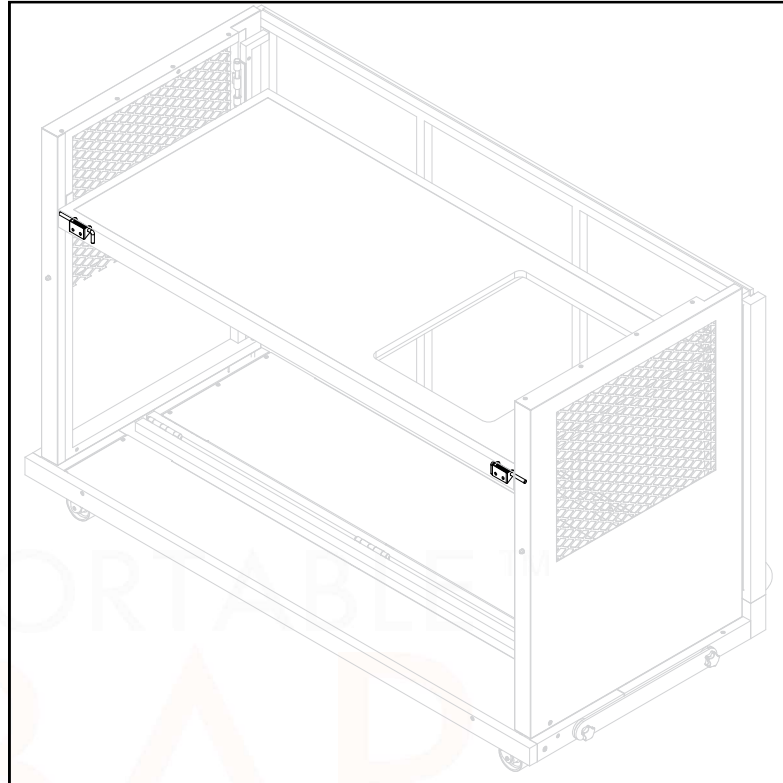


Figure 6

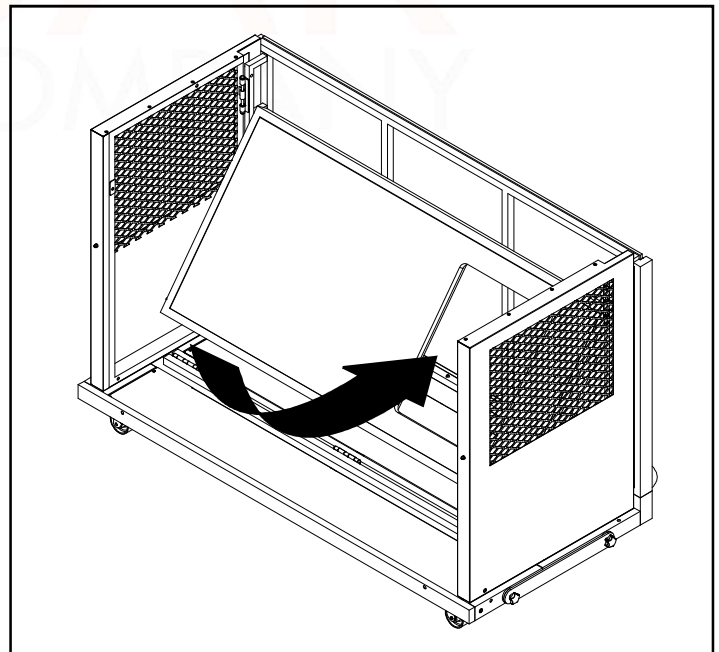


Figure 7



**STEP 5:** Remove the locking pins located at the sides of the base panel. Then fold the side panels by slightly lifting them up.

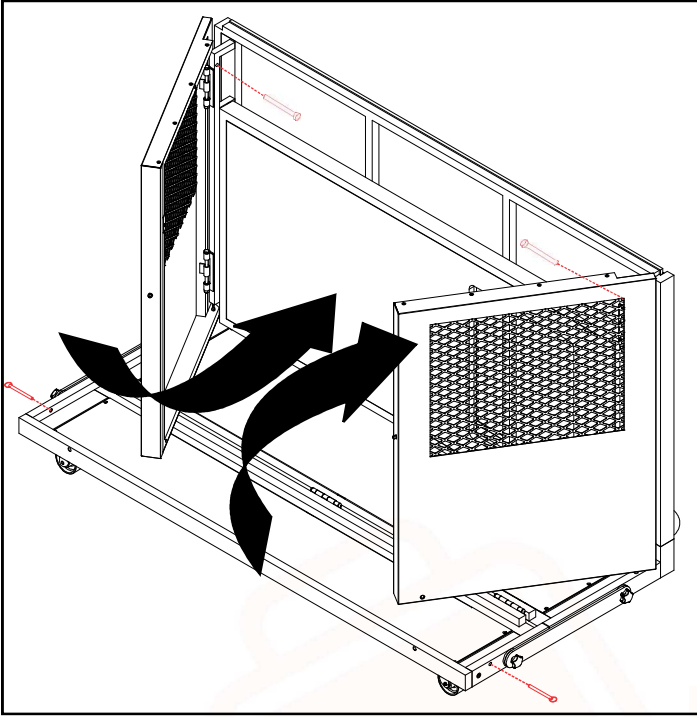


Figure 8

**STEP 6:** Unscrew the star knobs located at both sides of the bar. Tighten the star knobs after folding the base, as shown below:

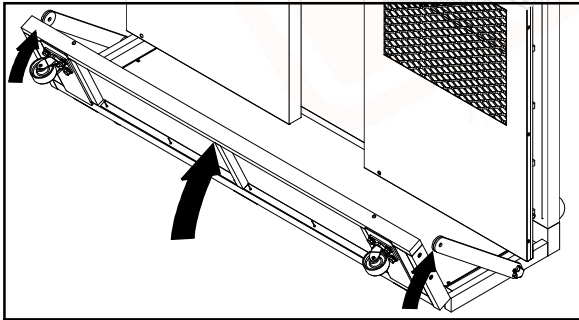


Figure 9

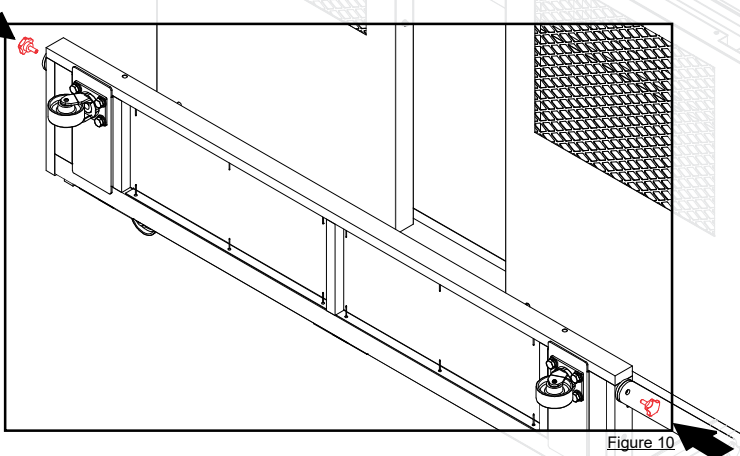


Figure 10

**STEP 7:** Place the counter on top of the folded position of the base. Use the posts located at the sides of the counter to keep it in place.

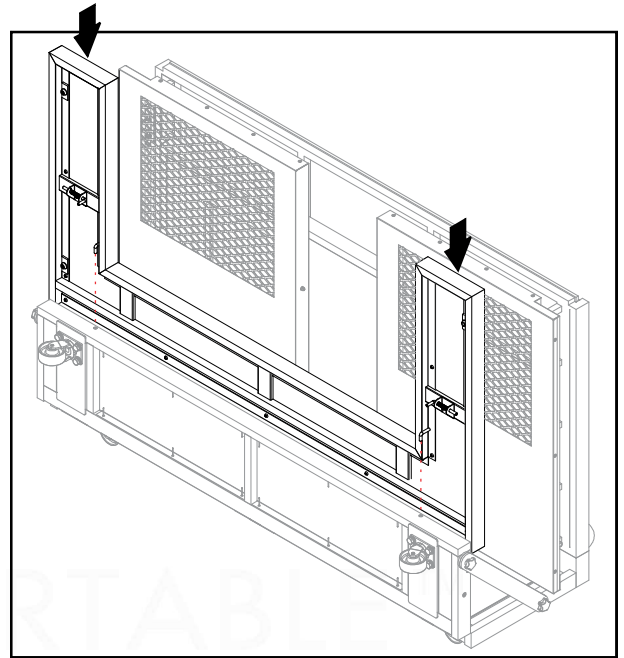


Figure 11

**STEP 7:** Cover the ice bin and store it along with the speed rail as shown below:

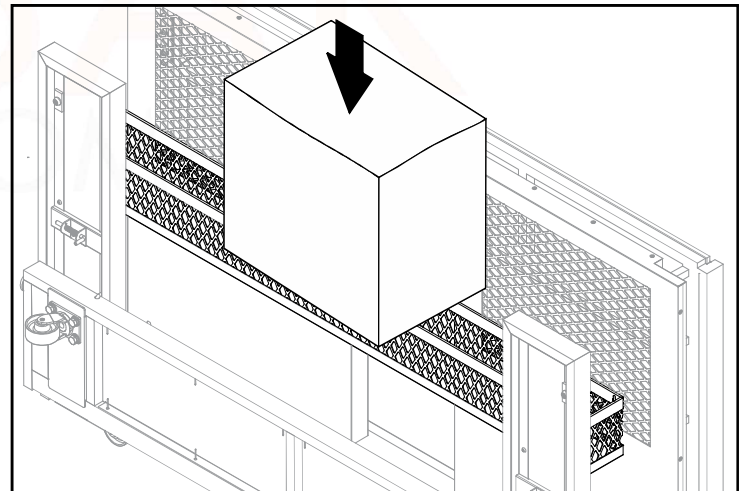
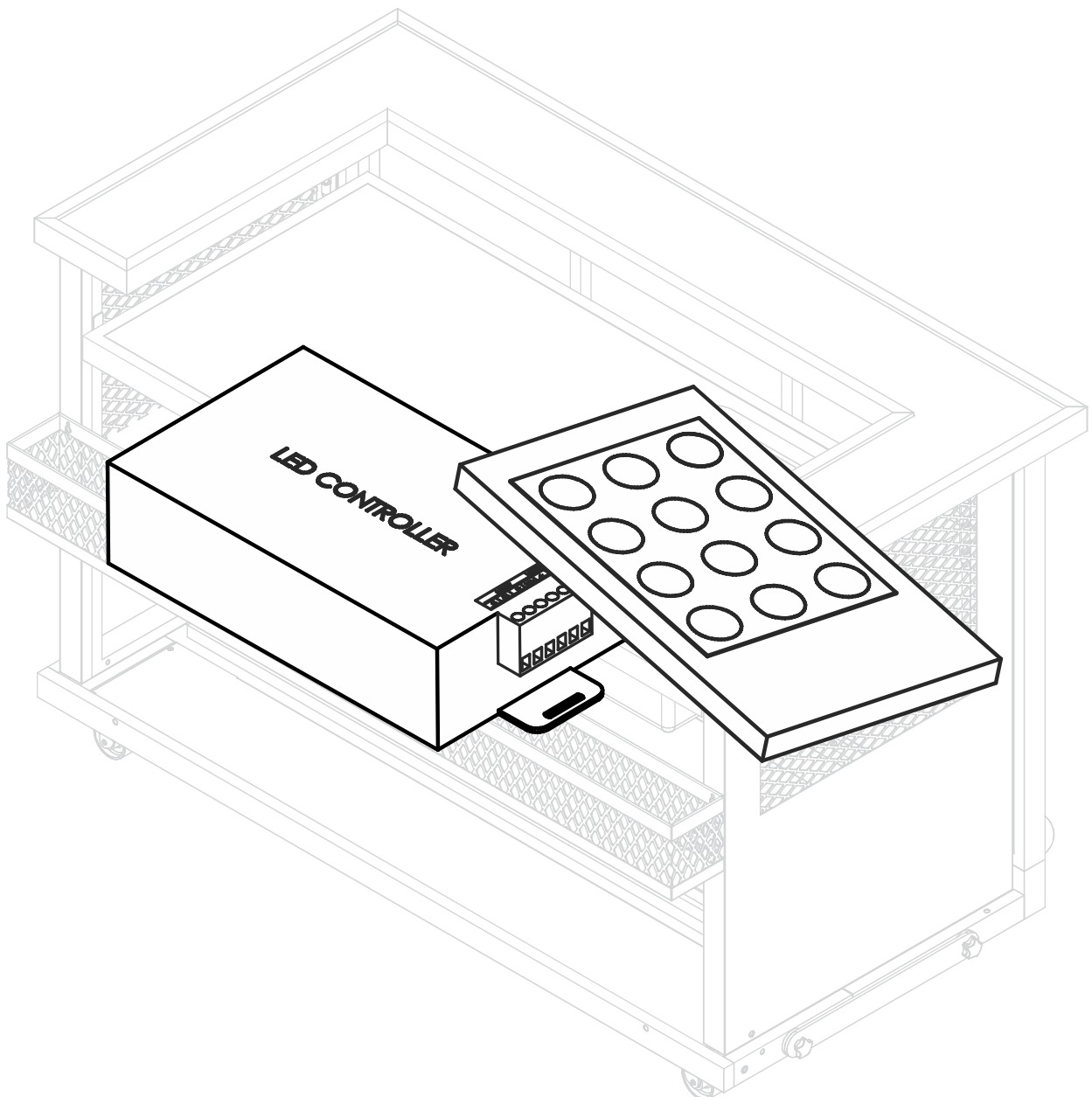


Figure 12



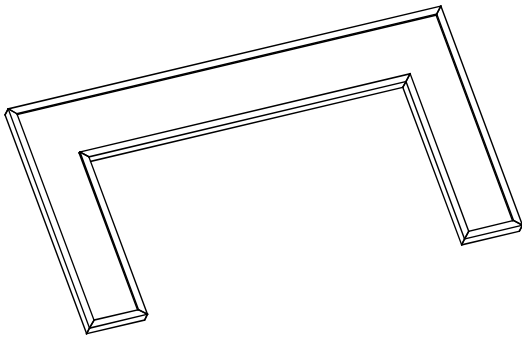
# Distressed Bar LED Kit Setup Guide



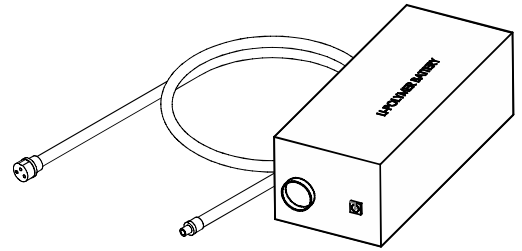
- **Read all the instructions before installing.**
- **Remove all packing materials before you start.**
- **This installation requires basic mechanical skills.**
- **Proper installation is the responsibility of the installer.**
- **Product failure due to improper installation is not covered under the warranty.**
- **Keep this instruction manual.**



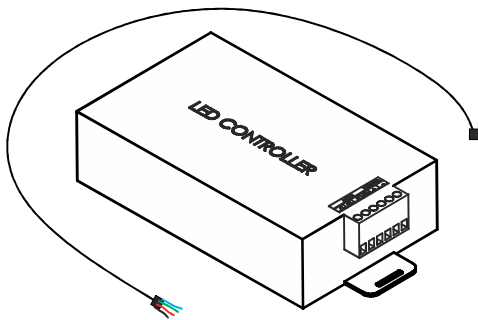
Counter w/LED strip  
QTY: 1



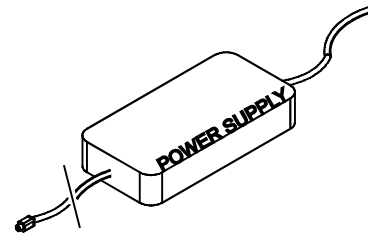
Battery  
QTY: 1



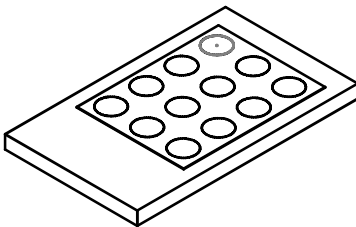
LED Controller  
QTY: 1



Power Cord  
QTY: 1



Remote Controller  
QTY: 1



*Note: Parts are not to scale.*

**STEP 1:** The LED controller will arrive pre-wired and with velcro tape applied. Choose a location that best fits your needs with applying it to the back panel beneath the working surface or on the under side of the working surface by removing the tape backing.

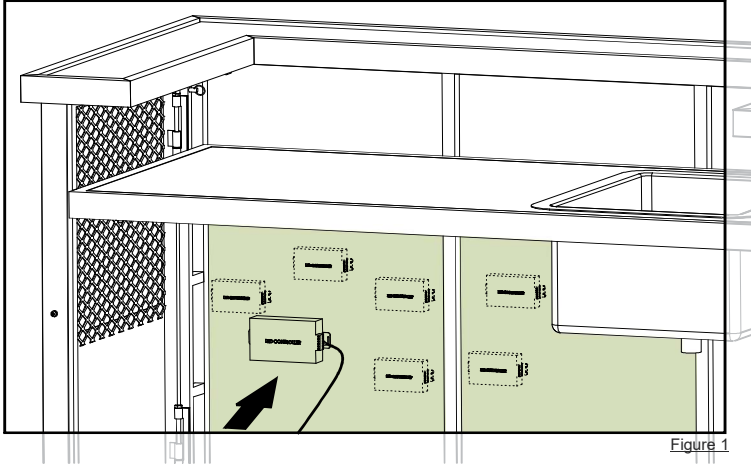


Figure 1

**STEP 2:** Connect the cable from the LED controller to the LED strip attached to the top counter via the male and female plugs.

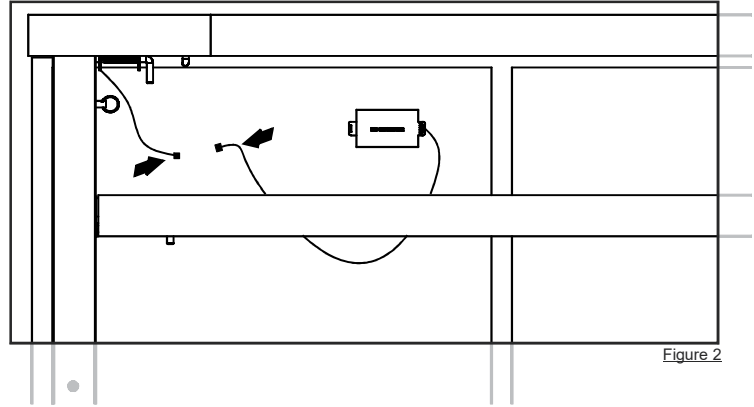


Figure 2

**Note:** When disassembling and folding the bar, unplug the LED strip from the controller when removing the counter to avoid damages.

**STEP 3:** Plug the battery (or power cable) into the controller to turn on LED system with the provided cable. Place the battery on the base on the bar. .



**Contact us**

Tel # 877-958-7901

Fax # 866-659-3353

E-mail: [info@theportablebarcompany.com](mailto:info@theportablebarcompany.com)

**Visit us at**

[www.theportablebarcompany.com](http://www.theportablebarcompany.com)

