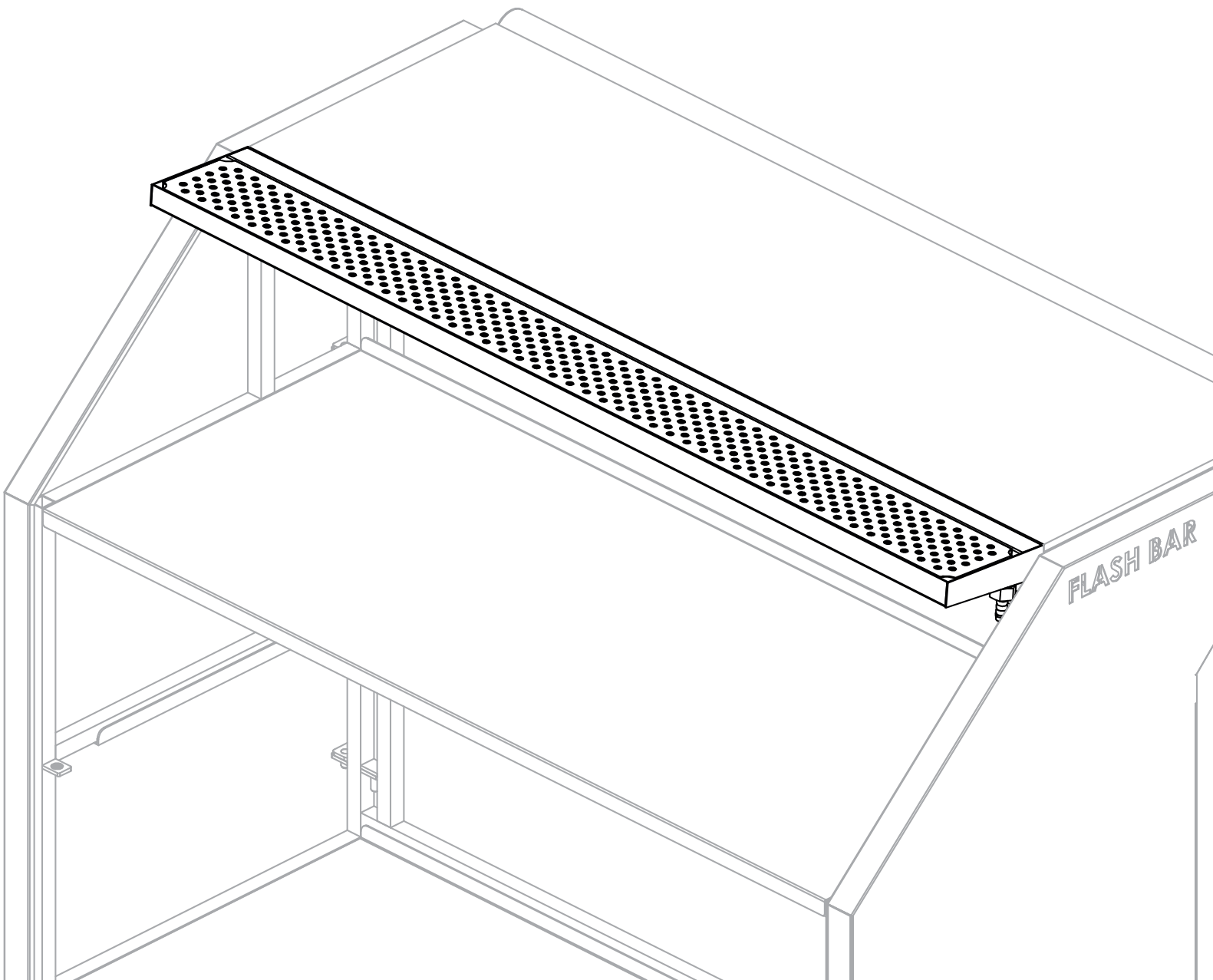




FLASH BAR STRAIGHT SEGMENT FULL SHOWMAN SHELF SET UP

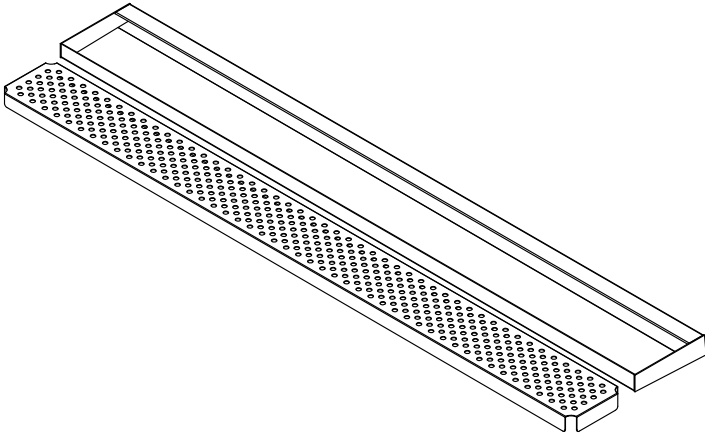


- **Read all the instructions before installing.**
- **Remove all packing materials before you start.**
- **Remove all protection films from acrylic panels.**
- **This installation requires basic mechanical skills.**
- **Proper installation is the responsibility of the installer.**
- **Product failure due to improper installation is not covered under the warranty.**
- **Keep this instruction manual.**

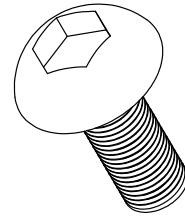
PORTABLE™
BAR
COMPANY

TM

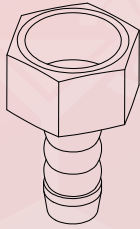
Grill and Drip Trays
QTY: 1ea



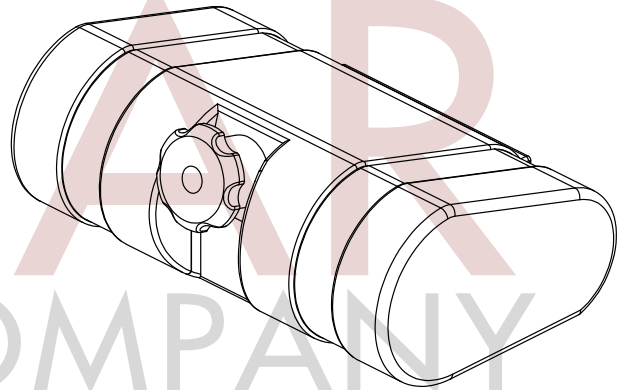
Hex Bolts
QTY: 6



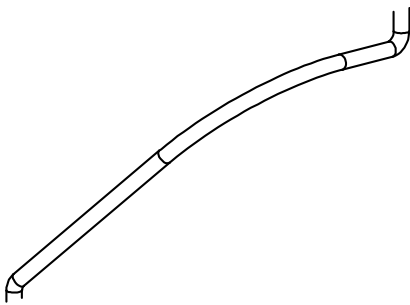
Nipple Adapter
QTY: 1



Waste Water Tank (Add-on)
QTY: 1



Clear Plastic Hose (Add-on)
QTY: 1



Note: Parts are not to scale.

4 FLASH BAR STRAIGHT SEGMENT TRASH CHUTE SET UP STEPS

STEP 1: Install all 6 hex bolts by hand tighten them. Do not tighten them all the way, follow the images below.

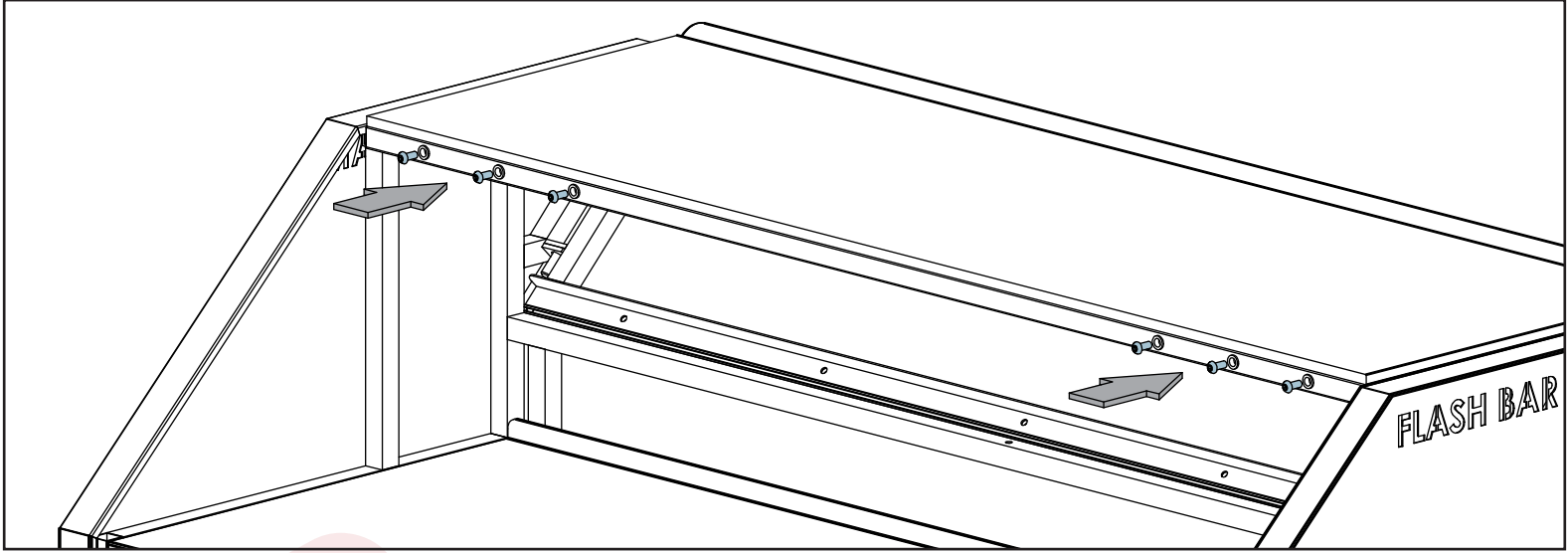
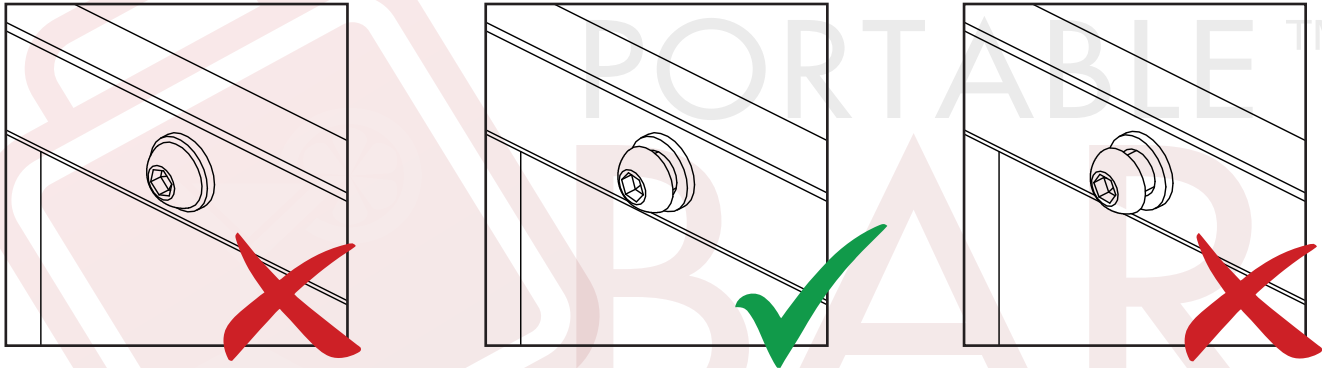


Figure 1



STEP 2: Install showman shelf by inserting the bolt's heads in the openings on the back of the shelf. Once all bolts heads are inside the shelf move shelf slightly to the left to lock it in place. See images below for reference.

Note: Hex bolts may need to be hand tightened from the back side of the counter frame to fully secure.

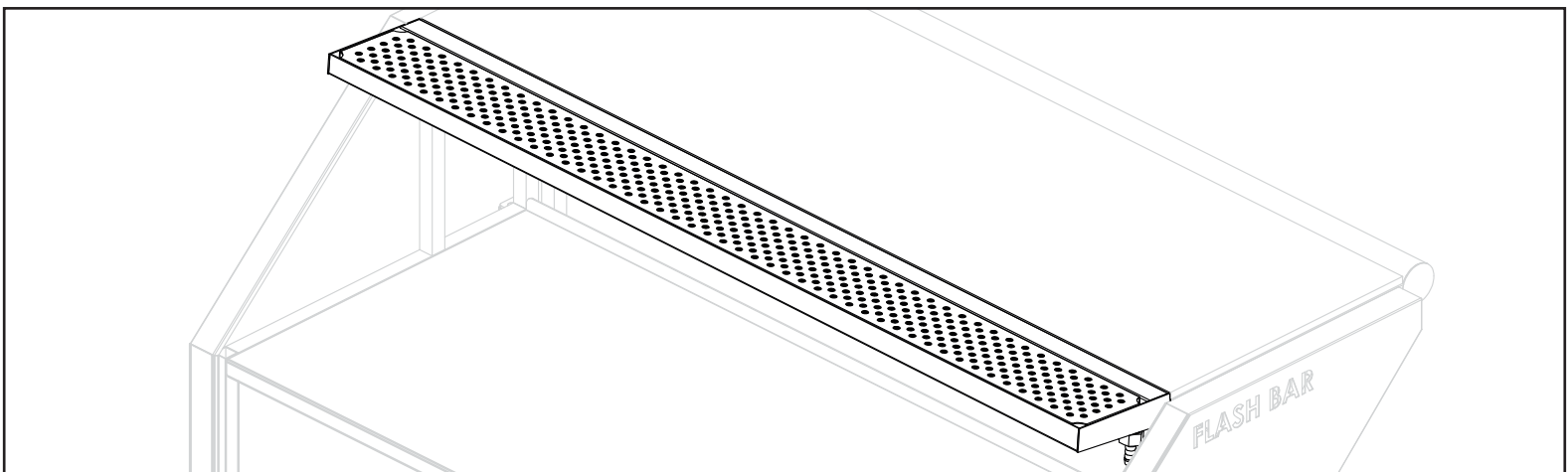


Figure 2



Figure 3

STEP 1: Slide in waste water tank from the side of adjacent segment as shown below:

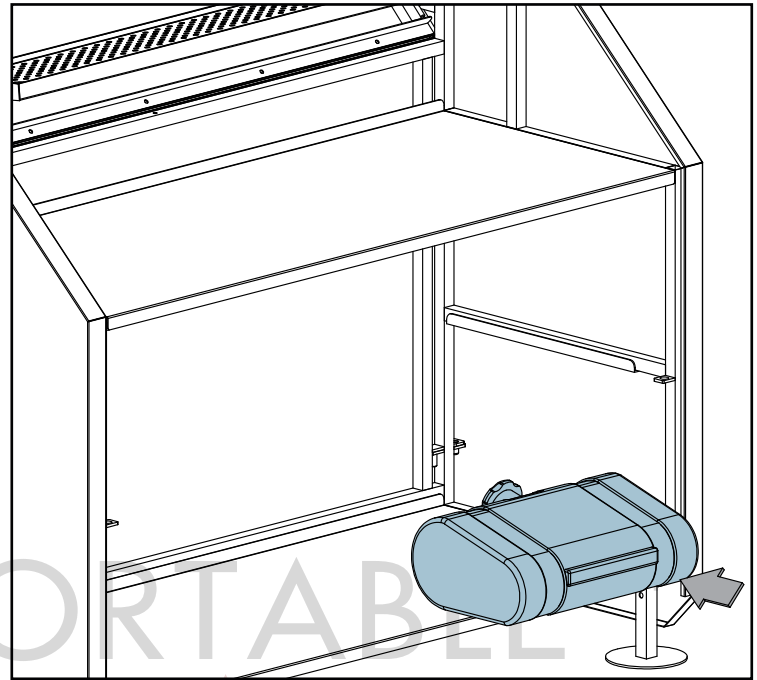


Figure 4

If you bought optional waste water tank follow next steps.

STEP 2: Finish installation by connecting nipple adapter to waste water tank using provided clear plastic hose.

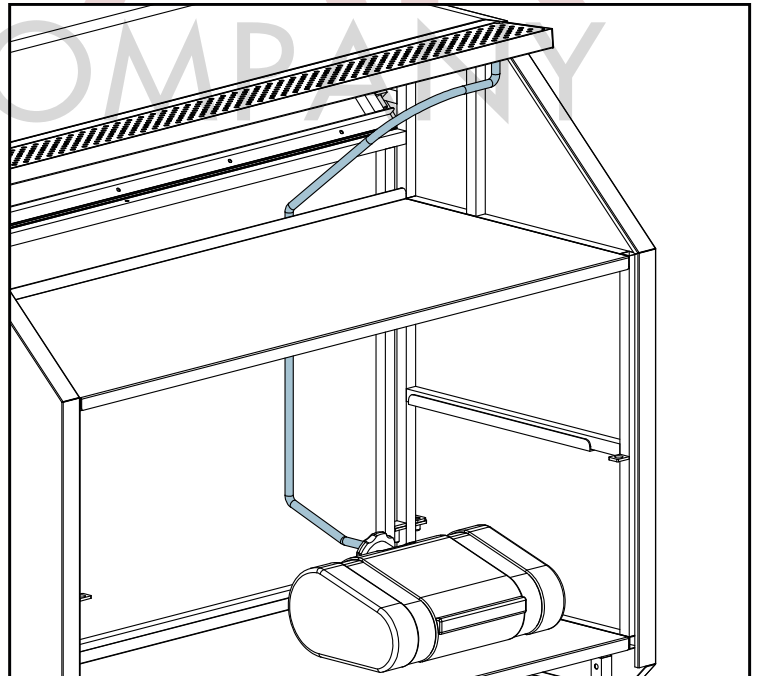
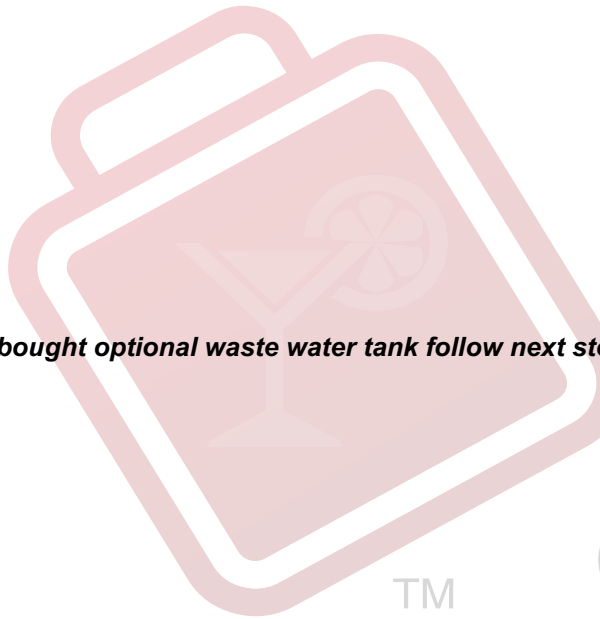


Figure 5



TM



Contact us

Tel # 877-958-7901

Fax # 866-659-3353

E-mail: info@theportablebarcompany.com

Visit us at

www.theportablebarcompany.com

