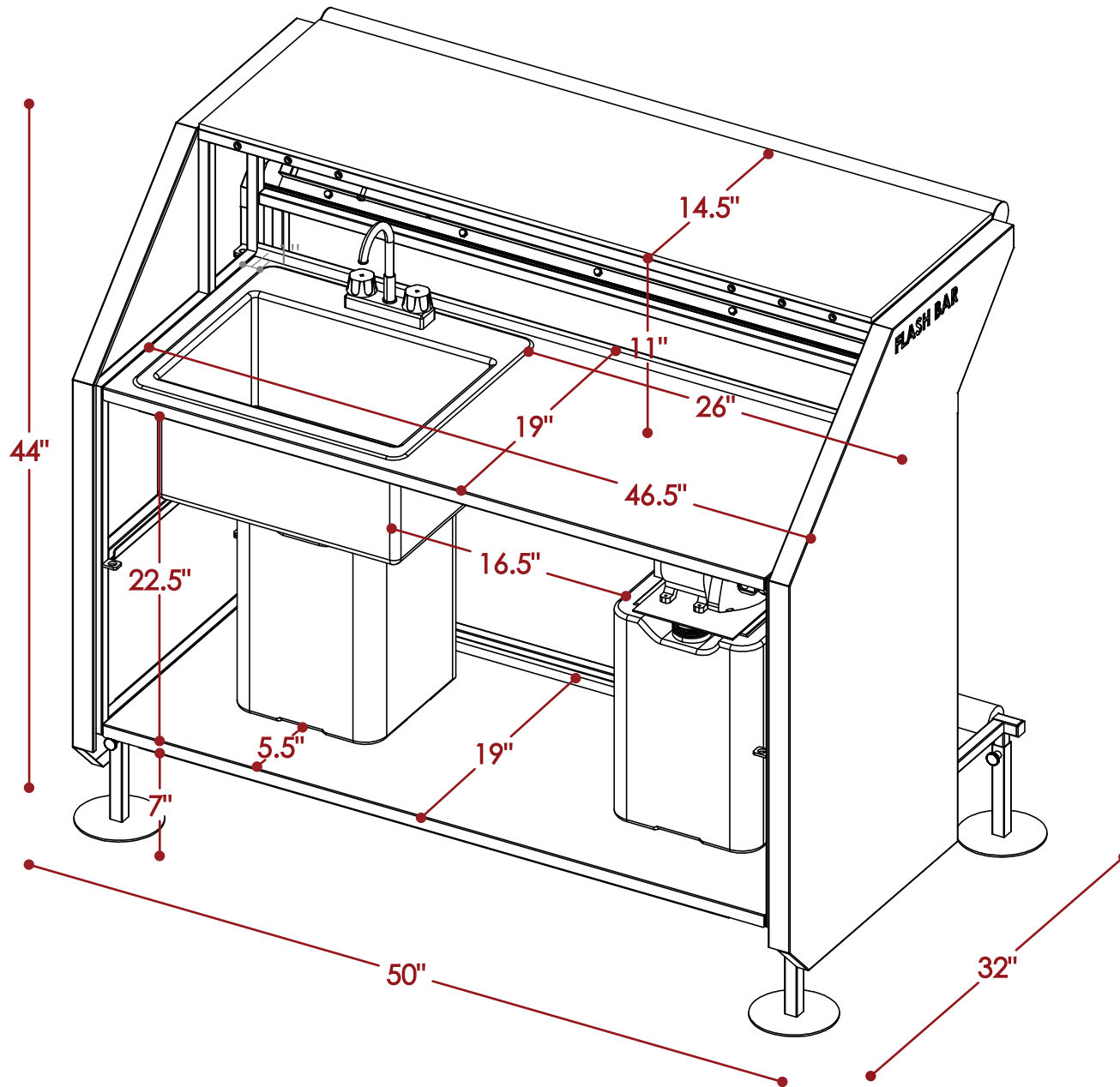


Self Contained Sink System

Hot & Room temp. water

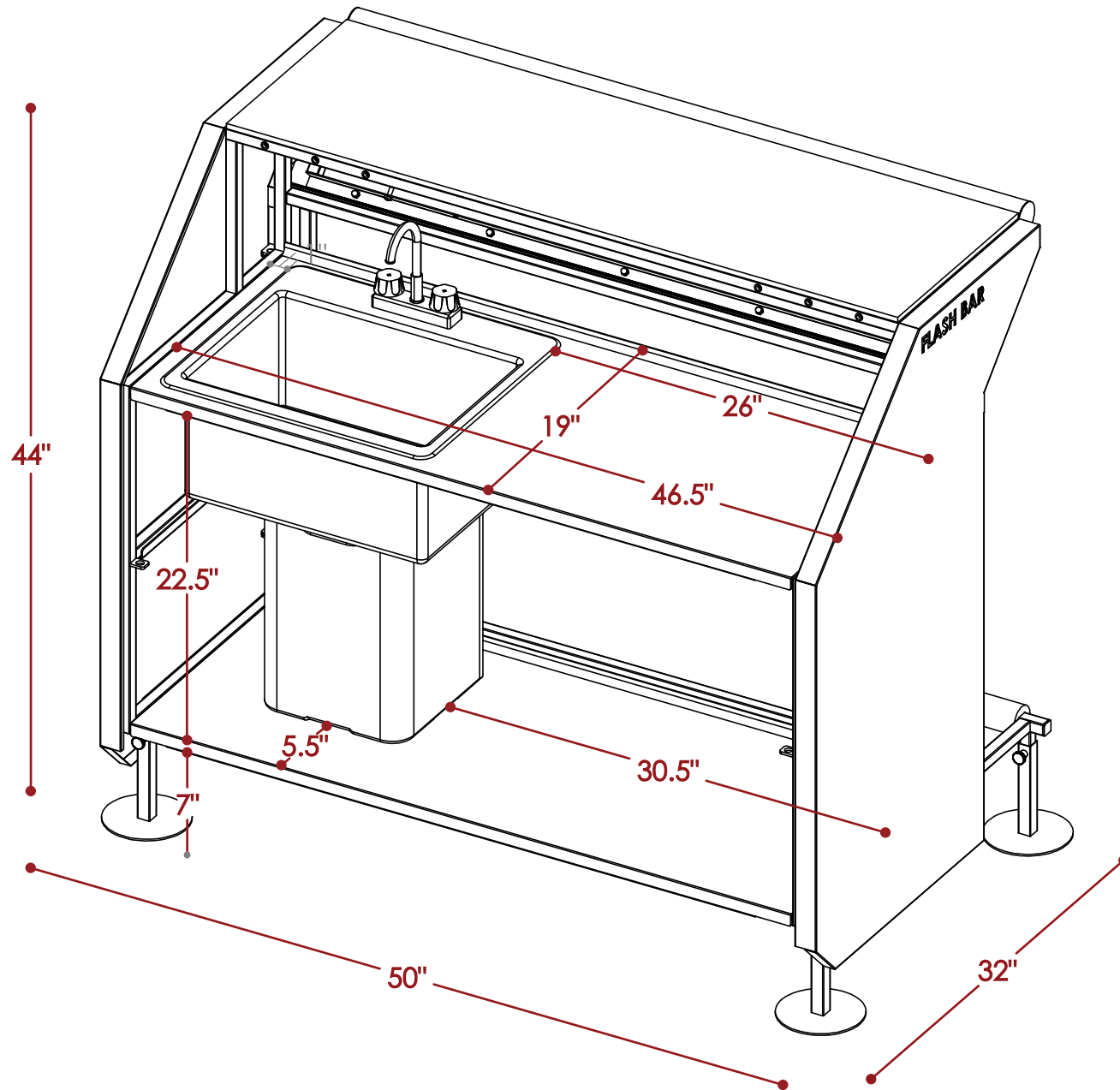
ALL DIMENSIONS ARE IN INCHES. THE INFORMATION CONTAINED WITHIN THIS DOCUMENT IS THE SOLE PROPERTY OF THE PORTABLE BAR COMPANY. ANY REPRODUCTION IN PART OR AS A WHOLE WITHOUT THE WRITTEN PERMISSION OF THE PORTABLE BAR COMPANY IS PROHIBITED.



Self Contained Sink System

Room temperature water

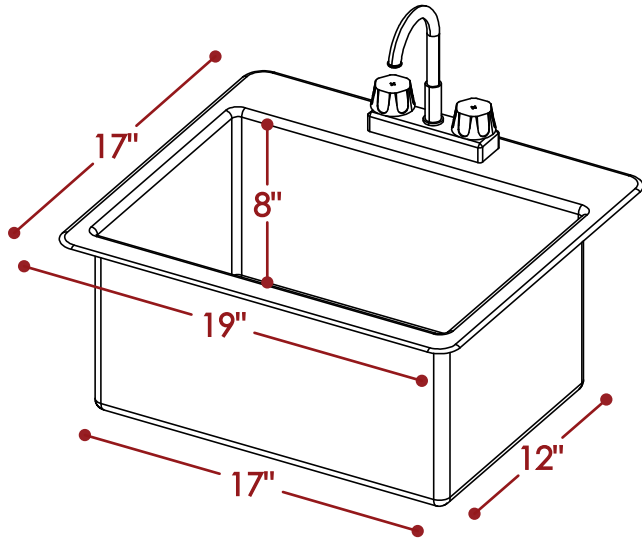
ALL DIMENSIONS ARE IN INCHES. THE INFORMATION CONTAINED WITHIN THIS DOCUMENT IS THE SOLE PROPERTY OF THE PORTABLE BAR COMPANY. ANY REPRODUCTION IN PART OR AS A WHOLE WITHOUT THE WRITTEN PERMISSION OF THE PORTABLE BAR COMPANY IS PROHIBITED.



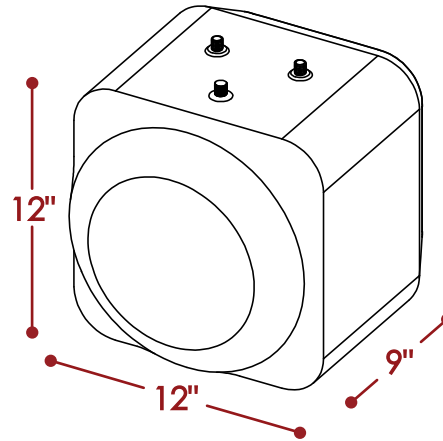
Grey Water Sink

ALL DIMENSIONS ARE IN INCHES. THE INFORMATION CONTAINED WITHIN THIS DOCUMENT IS THE SOLE PROPERTY OF THE PORTABLE BAR COMPANY. ANY REPRODUCTION IN PART OR AS A WHOLE WITHOUT THE WRITTEN PERMISSION OF THE PORTABLE BAR COMPANY IS PROHIBITED.

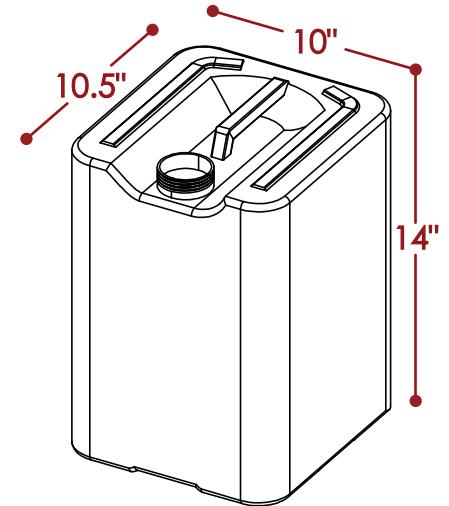
Sink



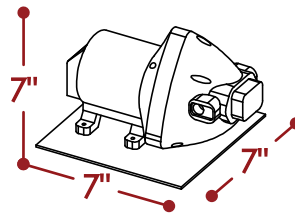
2.5gal Water Heater



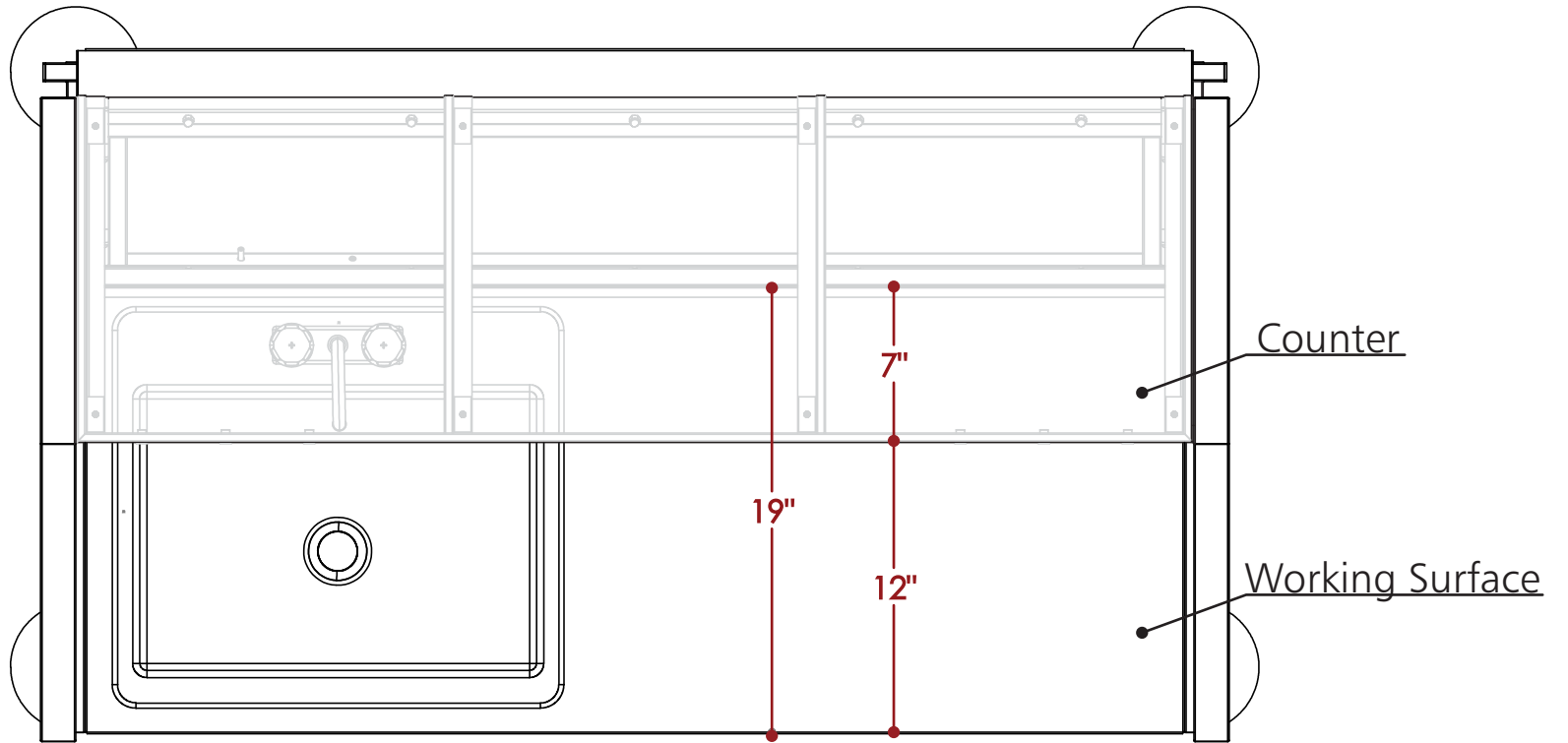
5gal Gray Water Tank



2gpm Water Pump



Sink Components



ALL DIMENSIONS ARE IN INCHES. THE INFORMATION CONTAINED WITHIN THIS DOCUMENT IS THE SOLE PROPERTY OF THE PORTABLE BAR COMPANY. ANY REPRODUCTION IN PART OR AS A WHOLE WITHOUT THE WRITTEN PERMISSION OF THE PORTABLE BAR COMPANY IS PROHIBITED.