



FLASH BAR™

MODULAR SYSTEMS

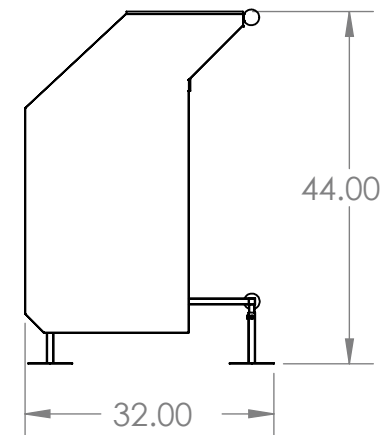
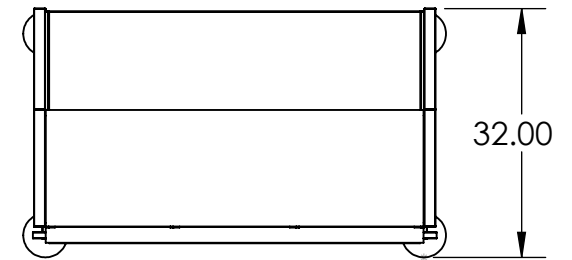
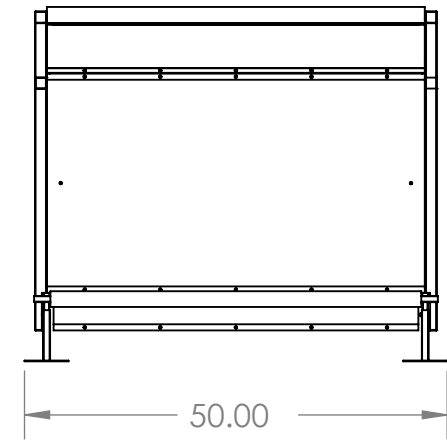
DIMENSIONS

Straight Segment	2
Circular Segment.....	5
90 Degree Corner Segment	7
60 Degree Corner Segment	9
Reverse 90 Degree Corner Segment.....	10
Accessories	
Drop-In Ice Bin	12
Sink.....	13
Speed Rail	16
Half-Length Speed Rail.....	17
Tiered Speed Rail.....	18
Single Cut-Out Shelf	19
Double Cut-Out Shelf.....	20
Large Back Bar Base Model	21
Large Back Bar With Add-Ons.....	22
Under Bar Ice Bin	25



STRAIGHT SEGMENT

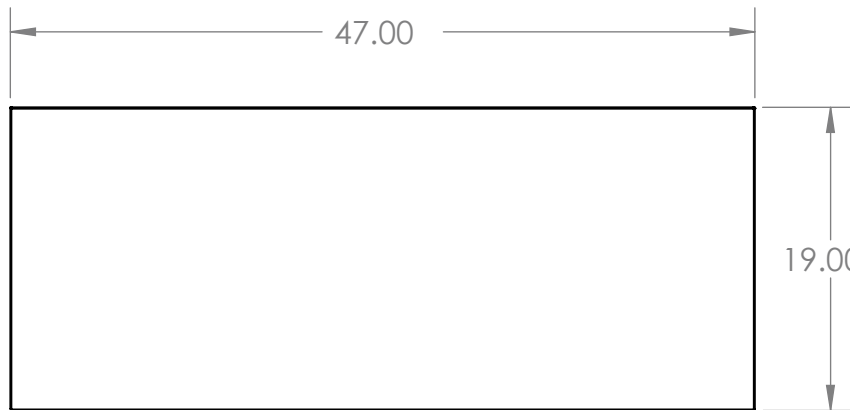
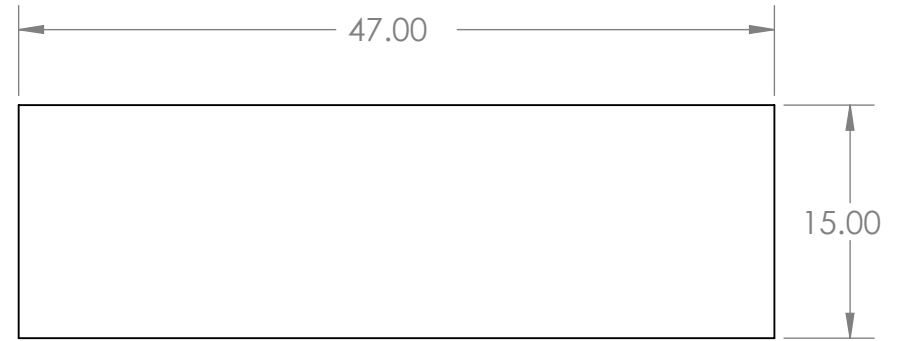
Height from ground to Work Surface = 32"



***Note: Images are approximate; they have been rounded to the nearest whole number.*

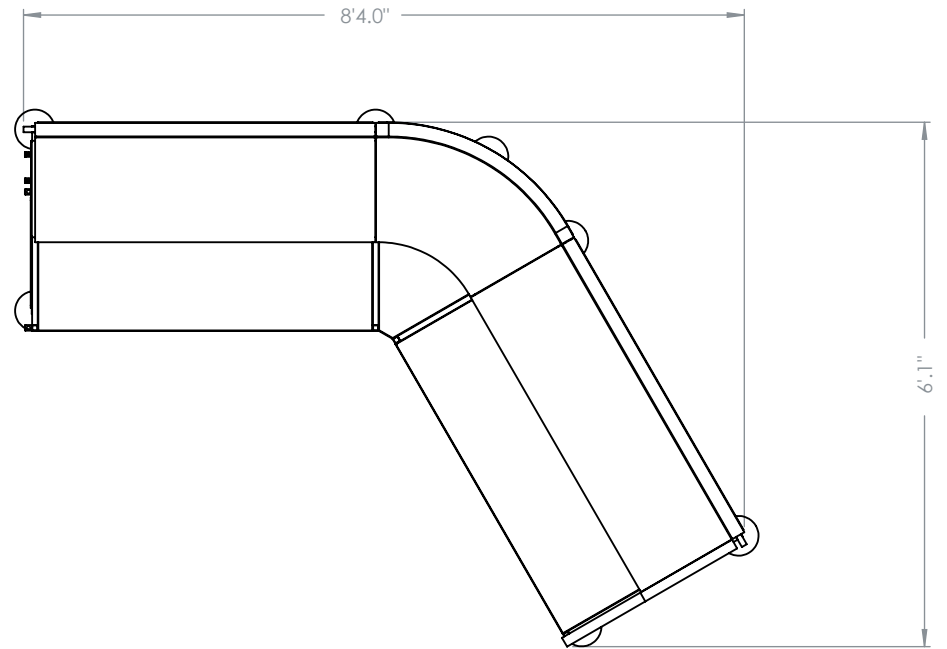
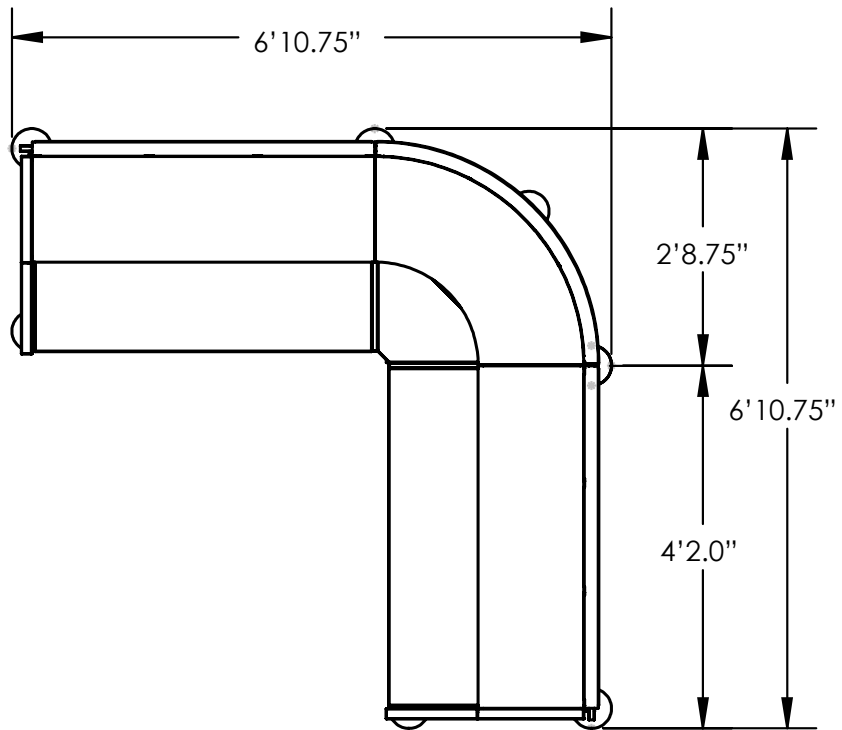


Acrylic Counter



S/S Work Surface

***Note: Images are approximate; they have been rounded to the nearest whole number.*

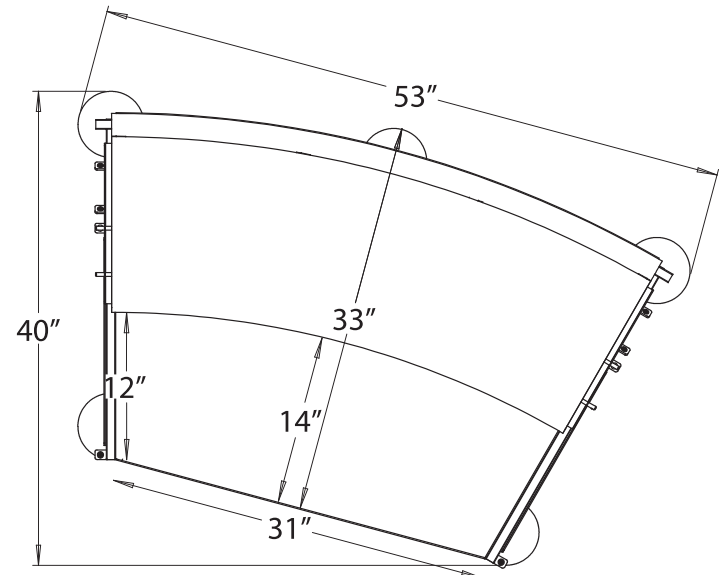
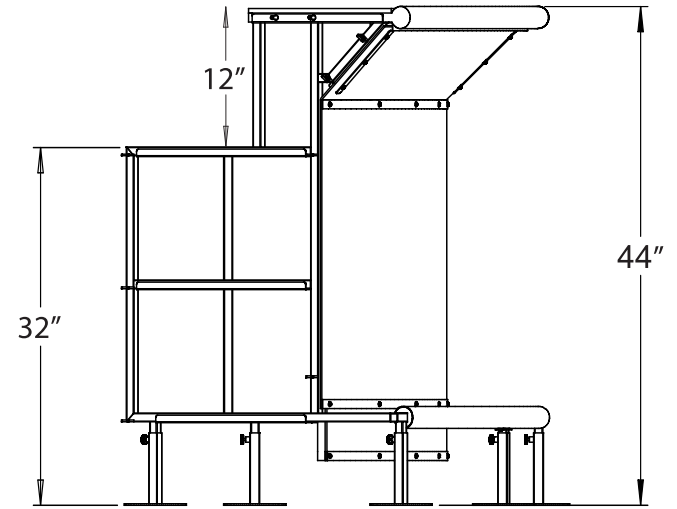


***Note: Images are approximate; they have been rounded to the nearest whole number.*

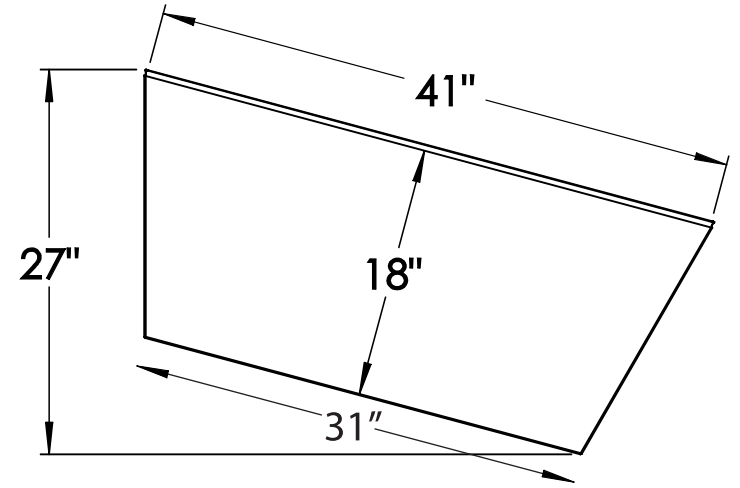


Circular Segment

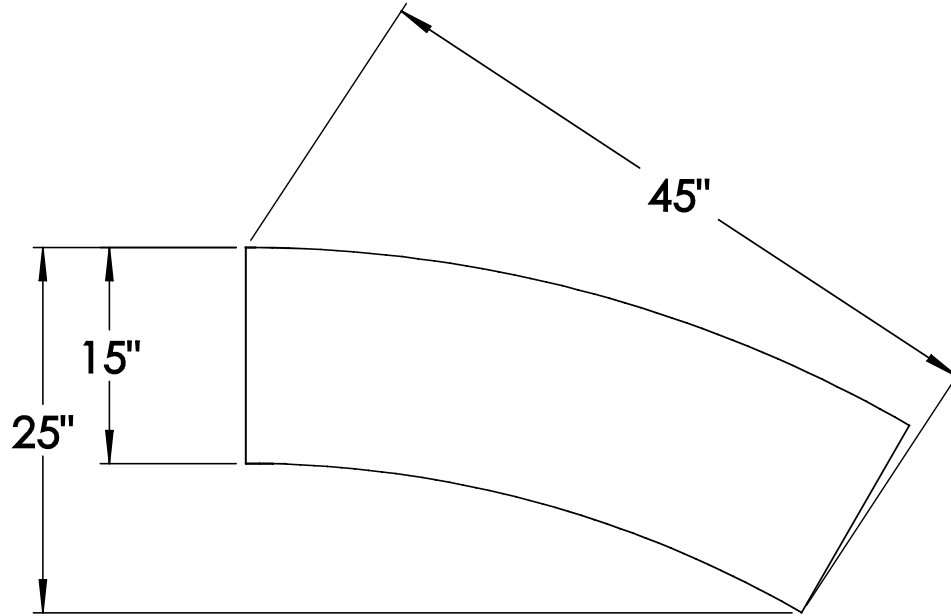
Height from ground to Work Surface



***Note: Images are approximate; they have been rounded to the nearest whole number.*



Stainless Steel Work Surface



Acrylic Counter Top

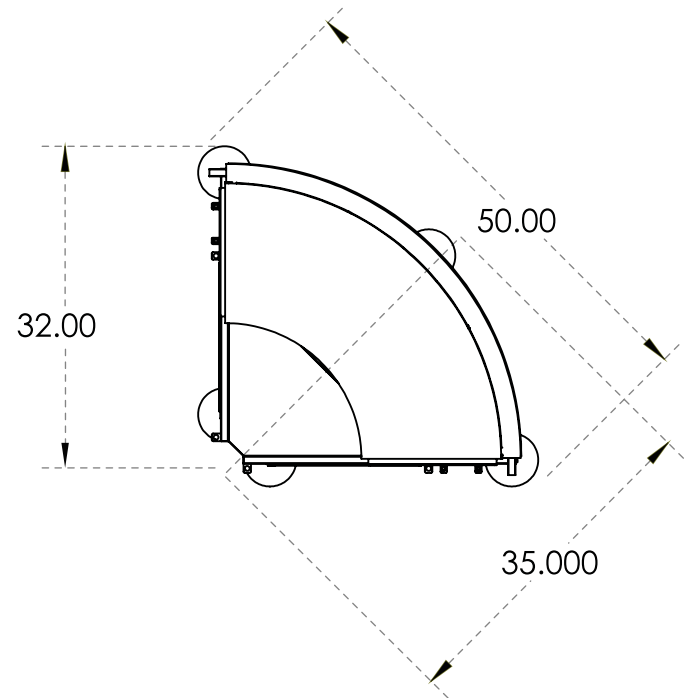
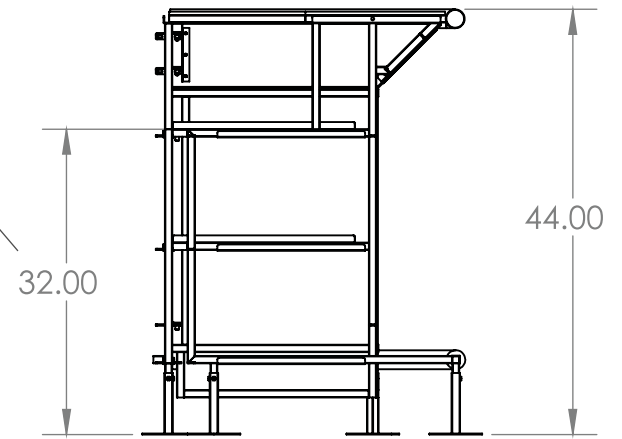
***Note: Images are approximate; they have been rounded to the nearest whole number.*



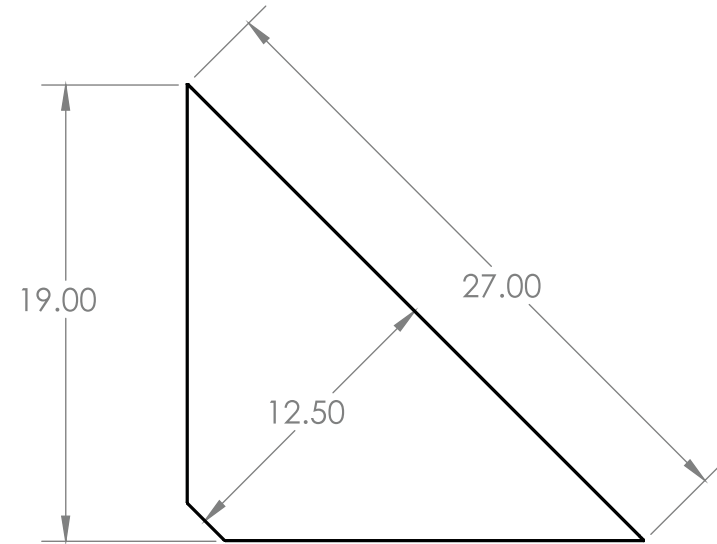
90 Degree Corner Segment



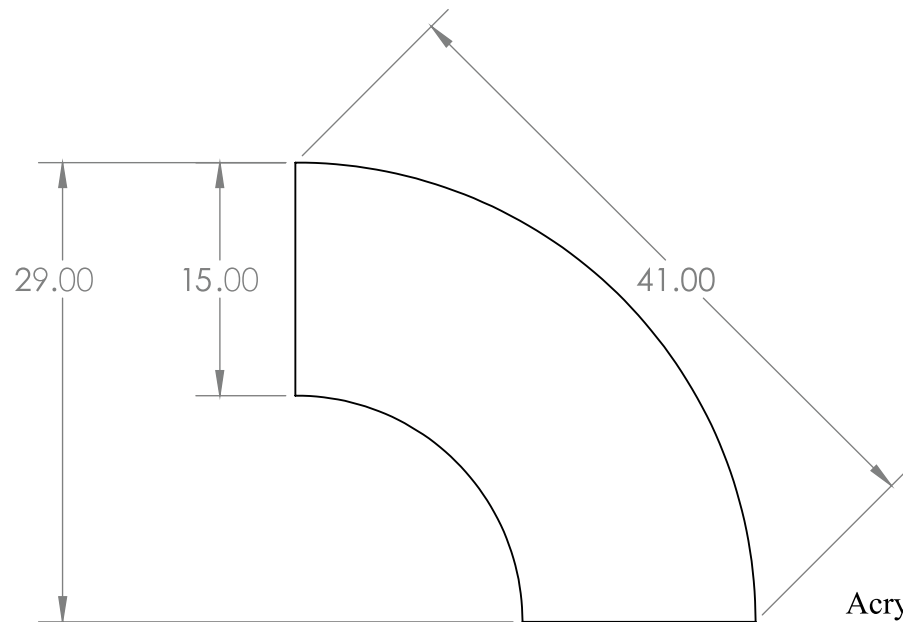
Height from ground to Work Surface



***Note: Images are approximate; they have been rounded to the nearest whole number.*



S/S Work Surface



Acrylic Counter Top

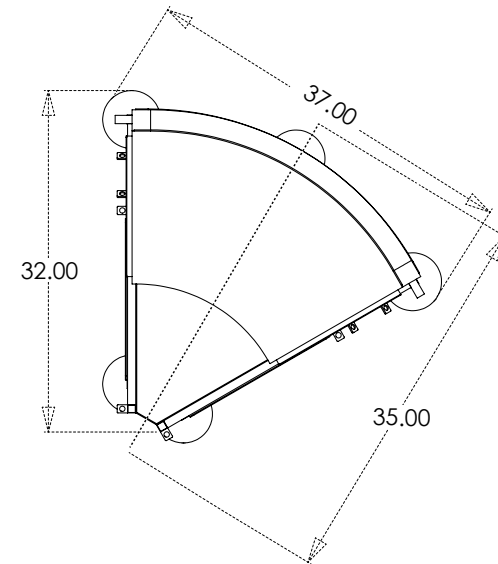
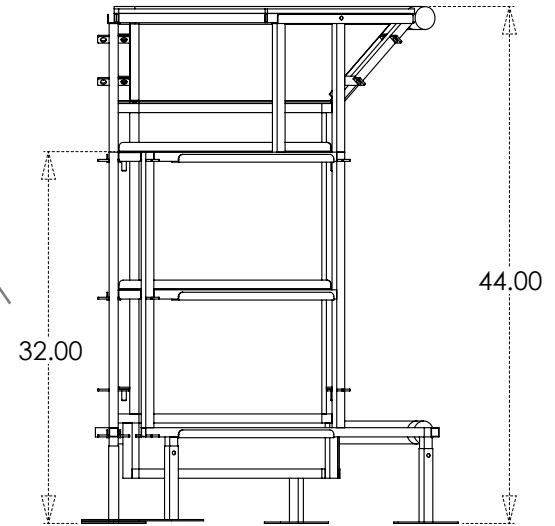
***Note: Images are approximate; they have been rounded to the nearest whole number.*



60 Degree Corner Segment



Height from ground to work surface

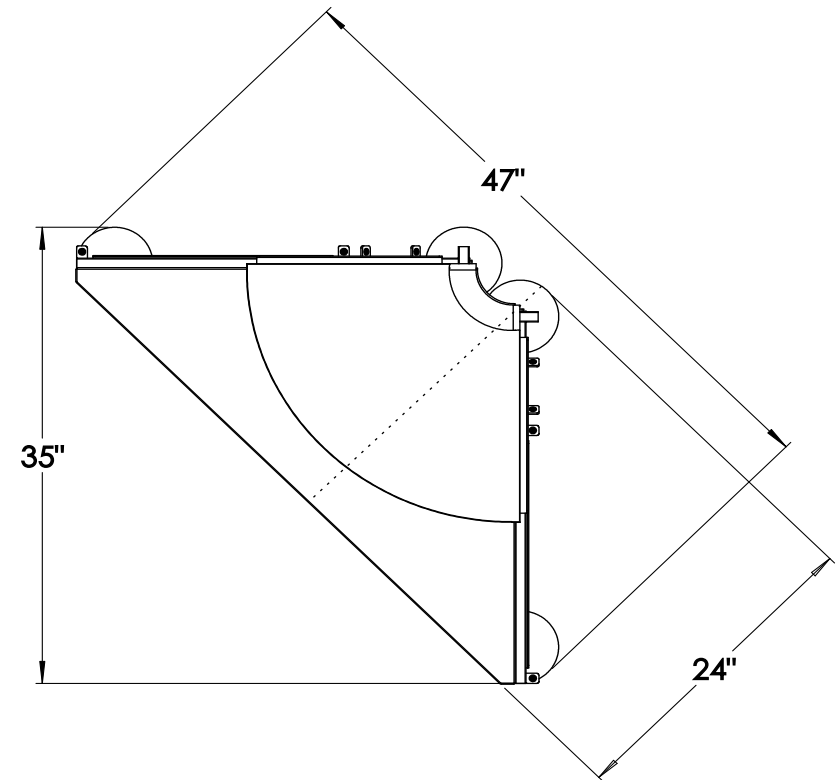
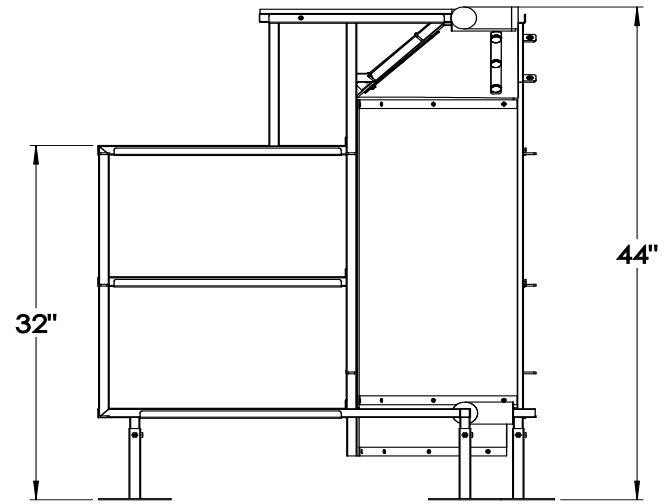


*** Note: Dimensions are approximate; they have been rounded to the nearest whole number.*

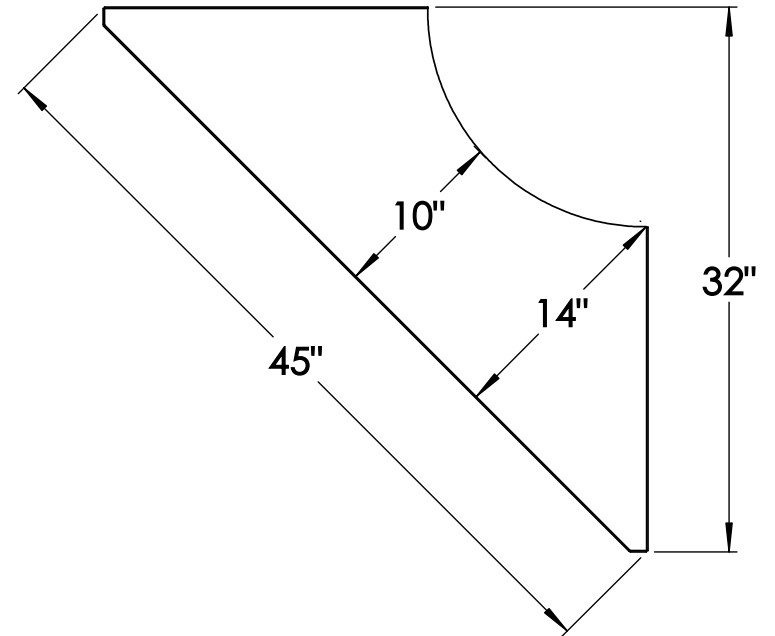


Reverse 90 Degree Corner Segment

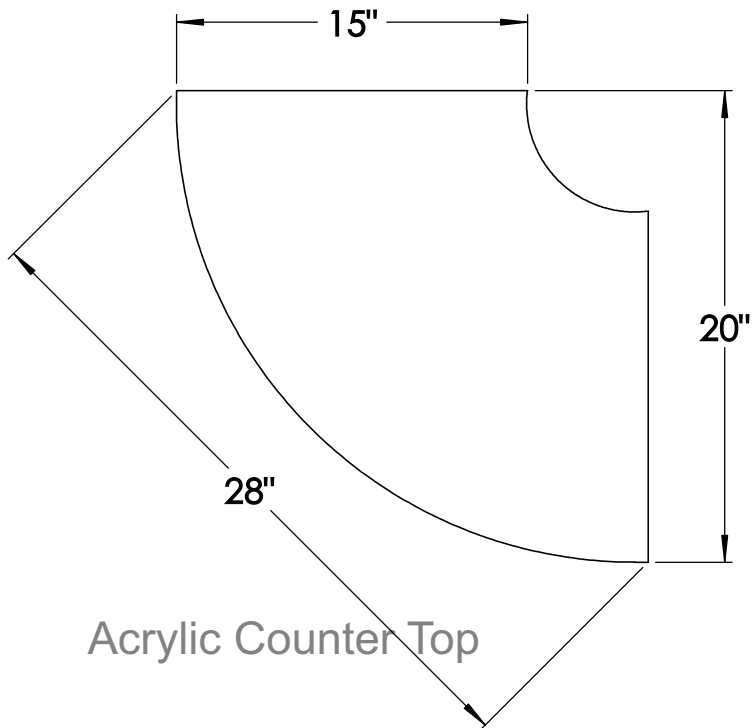
Height from ground to Work Surface



***Note: Images are approximate; they have been rounded to the nearest whole number.*



Stainless Steel Work Surface



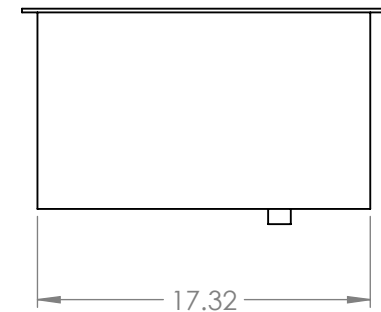
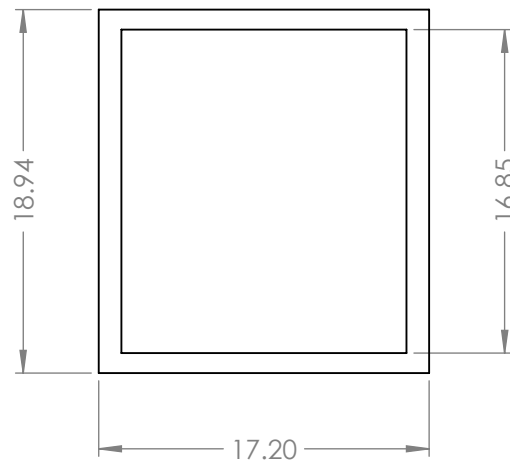
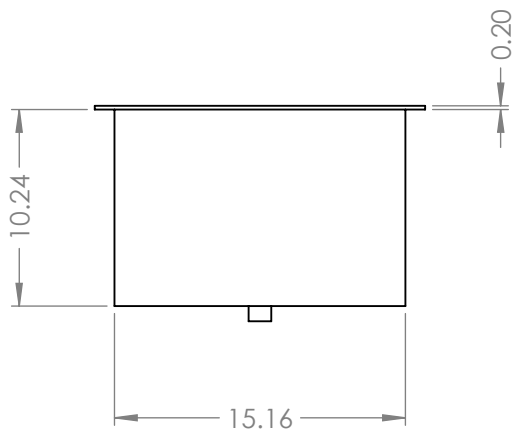
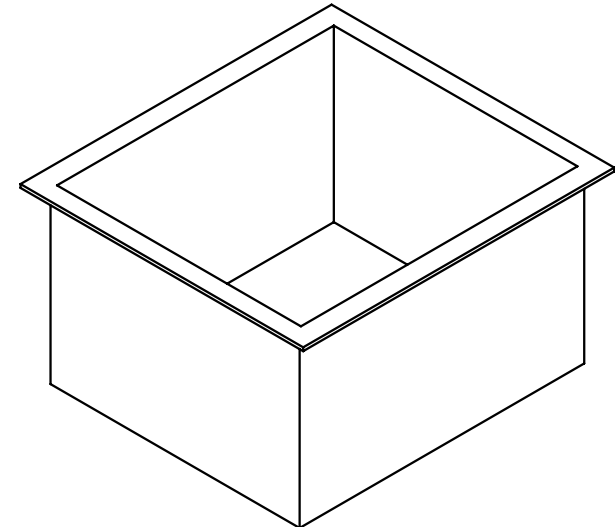
Acrylic Counter Top

***Note: Images are approximate; they have been rounded to the nearest whole number.*



Drop-In Ice Bin

Approx: 15d x 17w x 10d



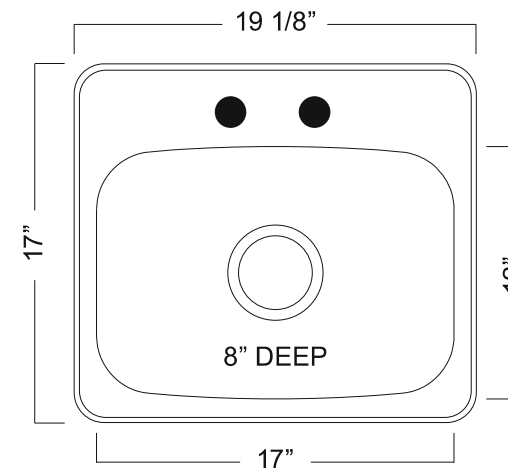


Sink

STAINLESS STEEL KITCHEN SINK:

Single Bowl Dual Mount Series

- 20 gauge
- Mirror deck & silk bowl
- Center drain wastehole location
- Ultra-Quiet™ sound deadening
- 21" cabinet is recommended minimum
- Limited lifetime warranty
- Installation hardware and template included
- Shipping weight: 8 lbs
- Heat Resistant: 2750 degrees F





PORTABLE
BAR
COMPANY™

POLISHED CHROME PFISTER BAR FAUCET

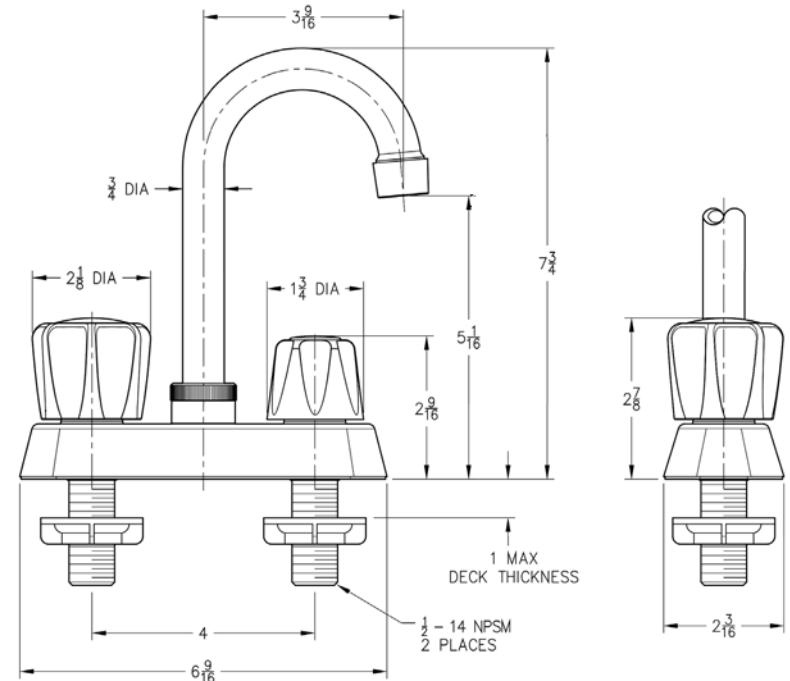
- Meets ADA/ANSI A117.1 requirements, ensuring accessibility to all disabled persons
- Product complies with NSF/ANSI 372 and conforms with lead content requirements for "lead-free" plumbing as defined by California, Vermont, Maryland, and Louisiana state laws and the U.S. Safe Drinking Water Act.
- Includes decorative deckplate
- Trade exclusive faucet
- Includes all installation hardware required

Features

- 1.8 GPM Flow Rate (G171 Only)
- 2.2 GPM (8.3 L/M) Flow Rate (171 Only)
- Metal Verve® Handles
- Washerless Valves
- Pforever Warranty®

Code Compliance

- Pfister products are designed and manufactured in compliance with the following standards and codes:
- IAPMO Certified
 - CSA B125 Certified
 - ASME A112.18.1
 - NSF 61/9 Annex G (Low lead) (G171 Only)
 - Cal Green Compliant (G171 Only)





MOEN 3.5in Composite Drain / Stainless Steel

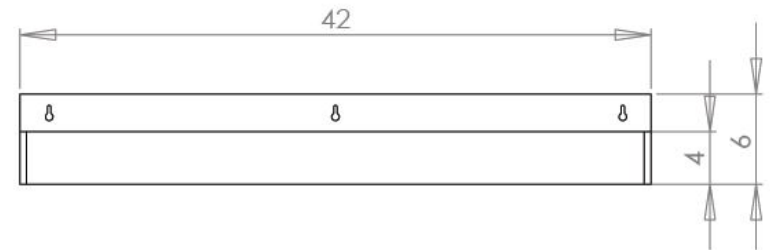
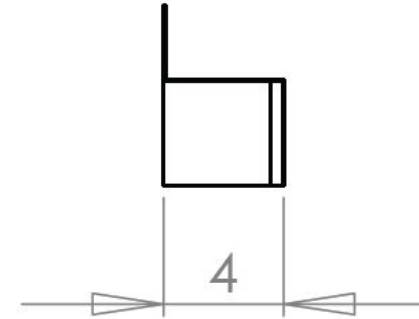
- Stainless Steel Drop In Drain
- Easy Assembly





Speed Rail

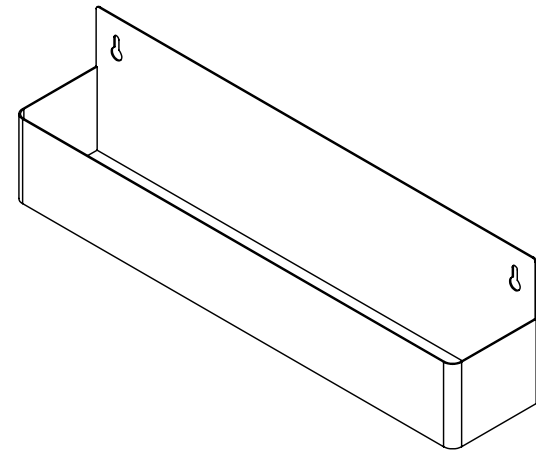
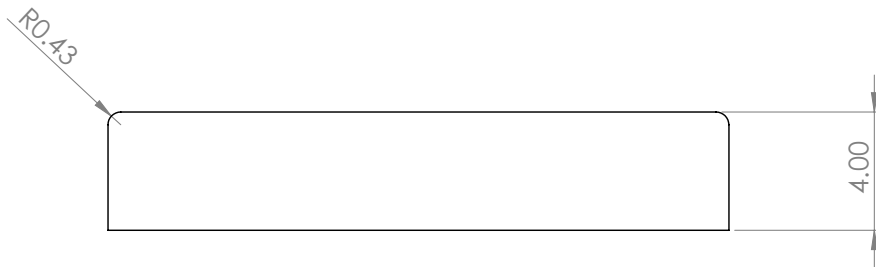
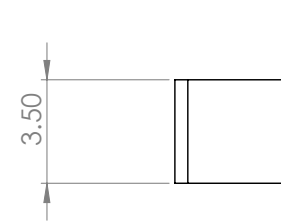
* Speed Rail will accommodate a quantity of up to 10 quart or liter bottles



**Note: Images are approximate; they have been rounded to the nearest whole number.

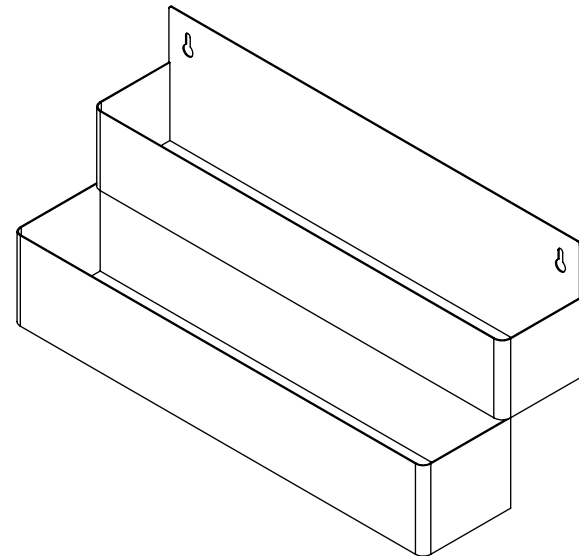
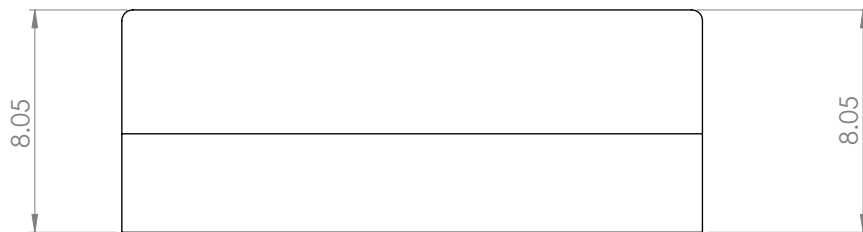
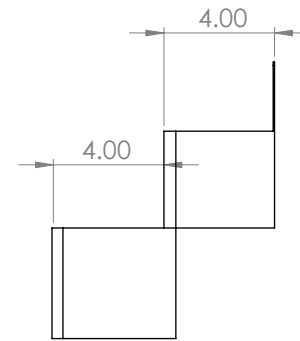


Half-Length Speed Rail



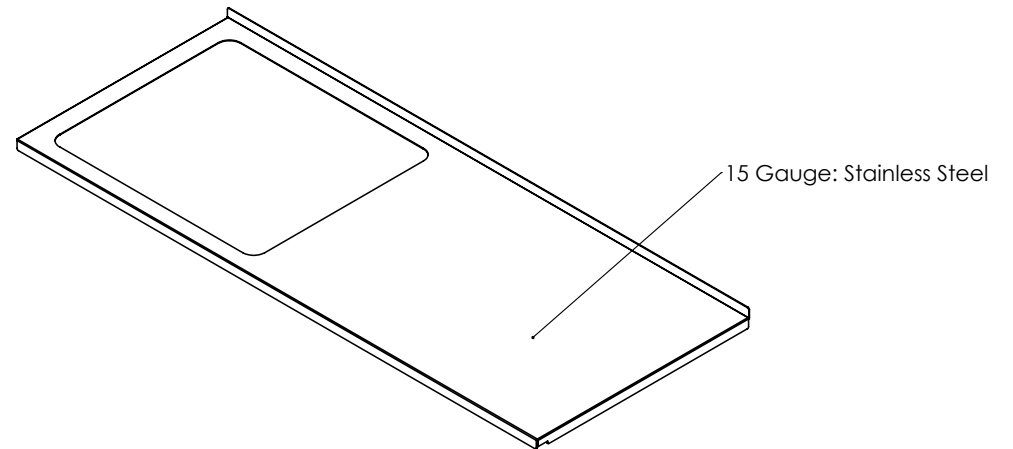
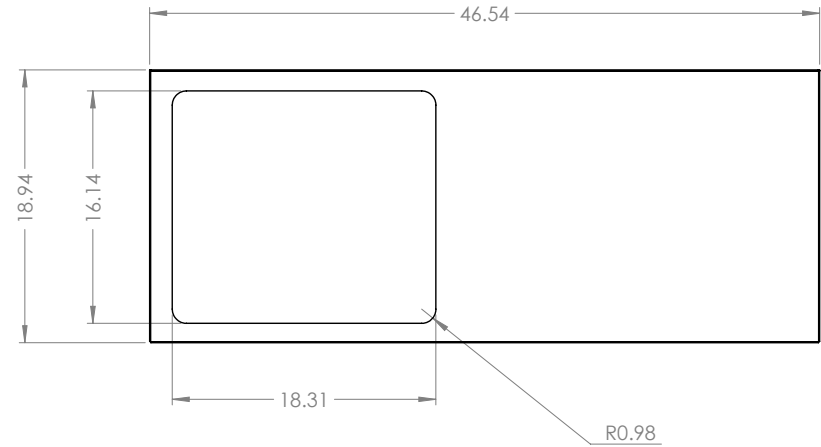
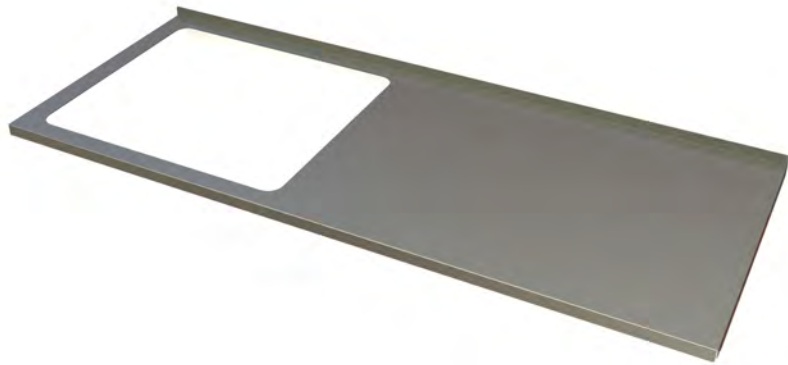


Tiered Speed Rail



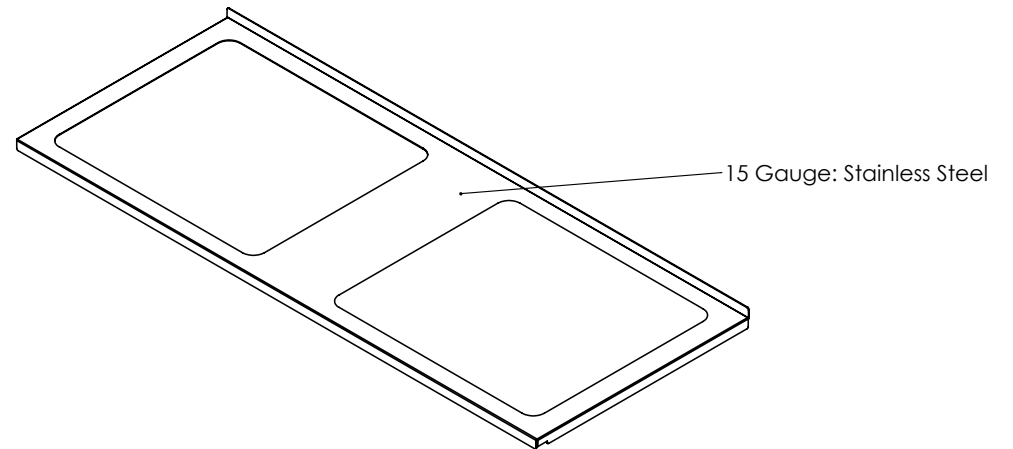
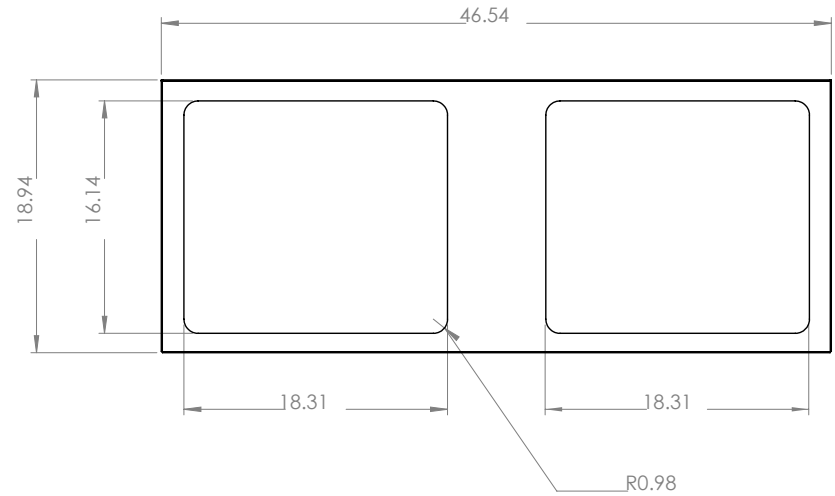


Single Cut-out Shelf





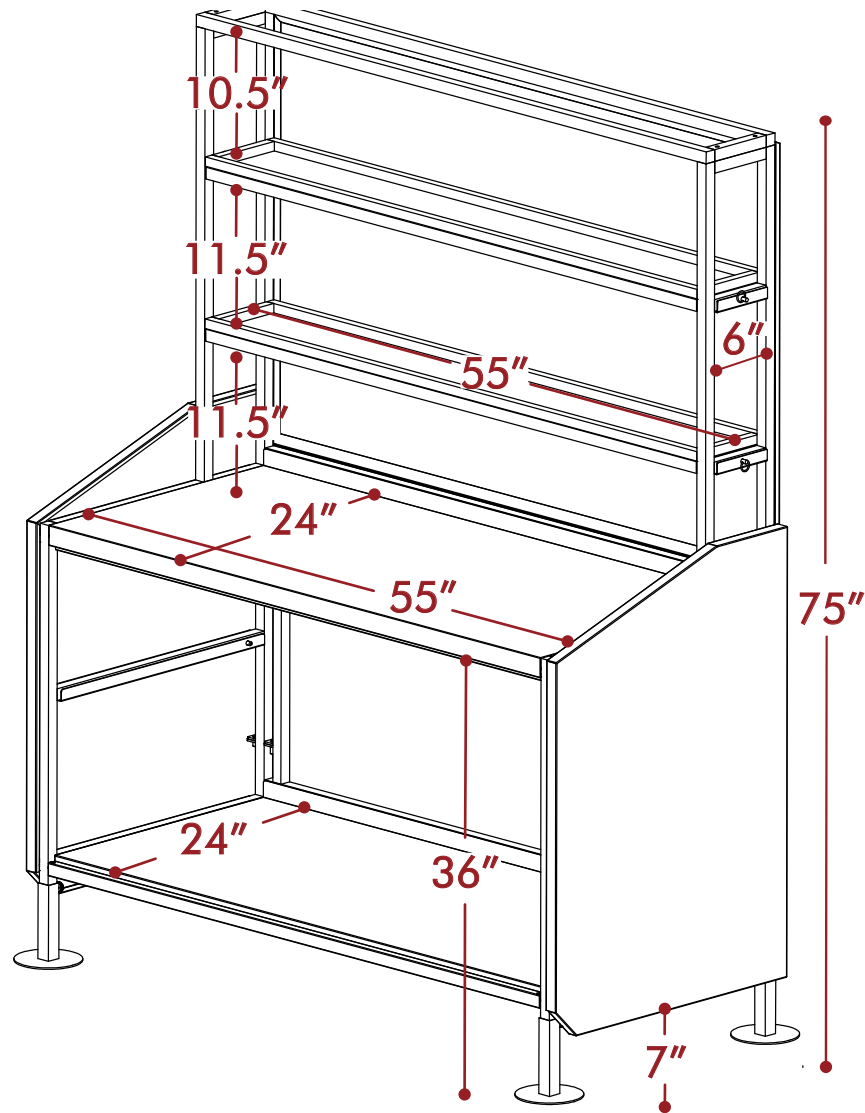
Double Cut-out Shelf





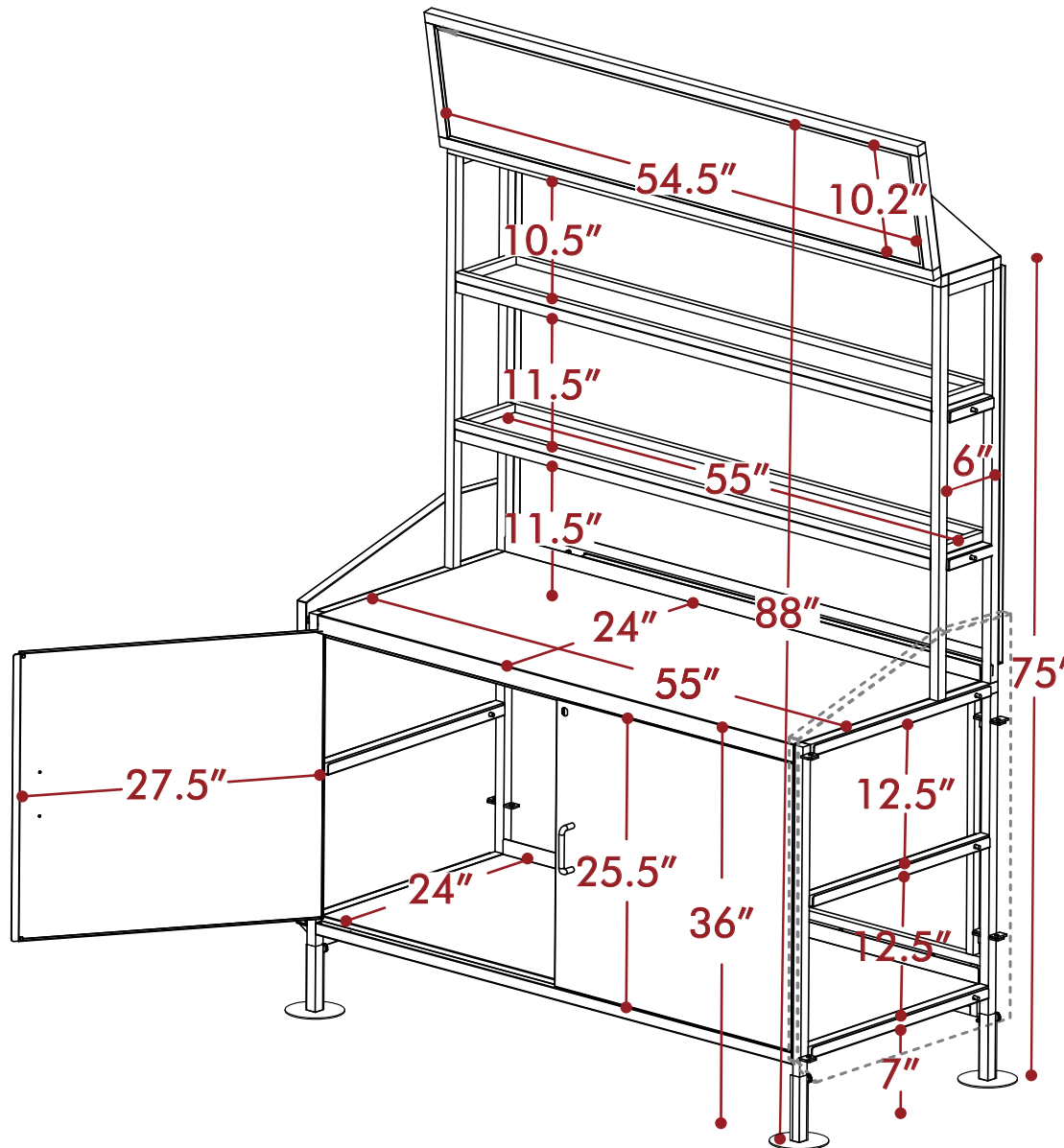
Large Back Bar Base Model

Height	6'3"
Width	5'2"
Depth	2'7"
Weight	186lbs





Large Back Bar with Add-ons

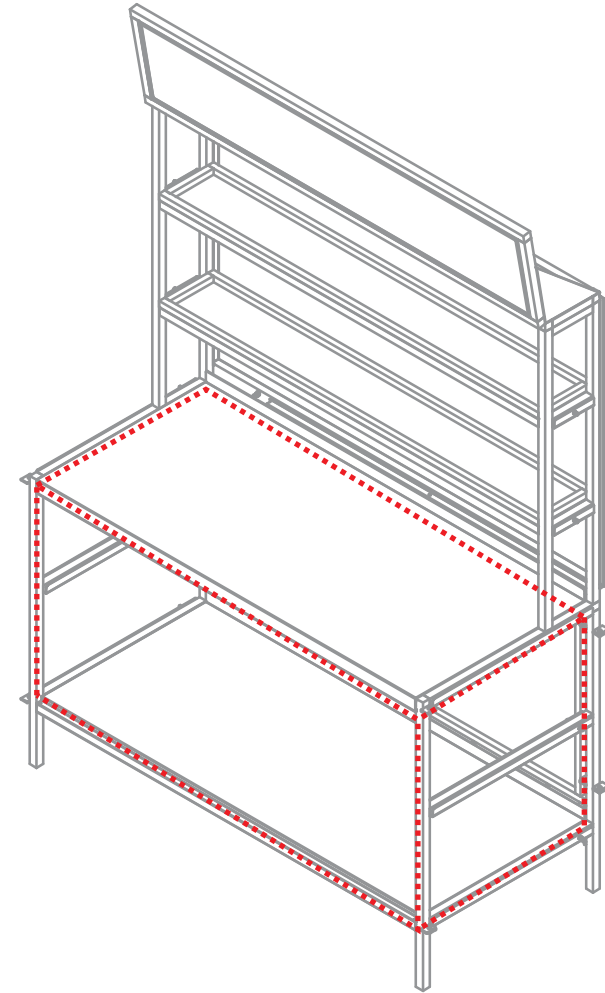
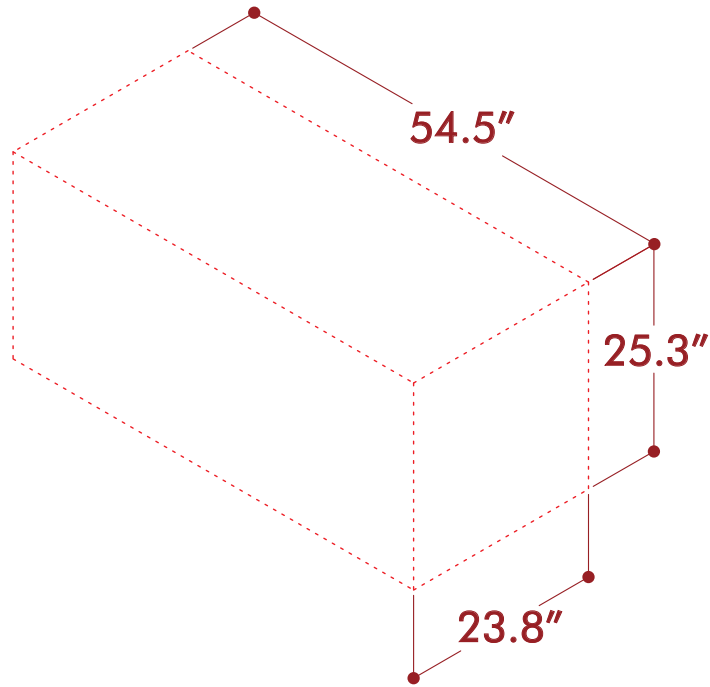


Height	7'4"
Width	5'2"
Depth	2'7"
Weight	324lbs



Large Back Bar
Available Space with bottom shelf

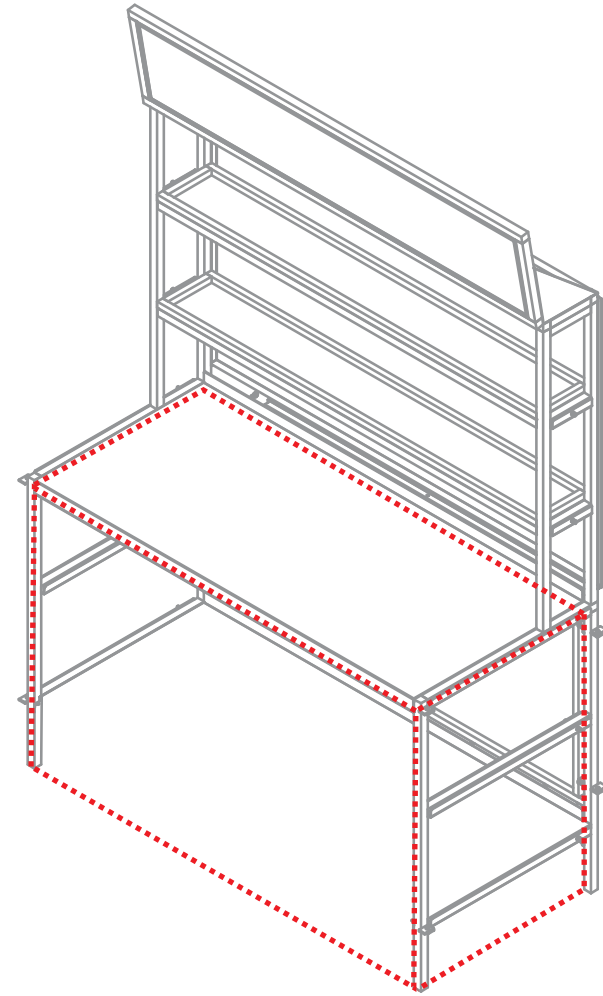
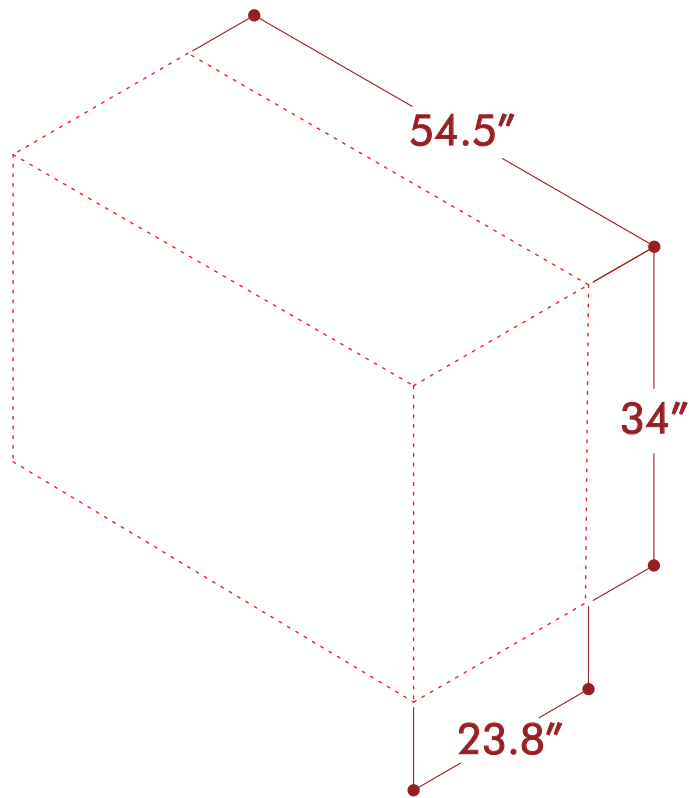
Volume 19 ft³





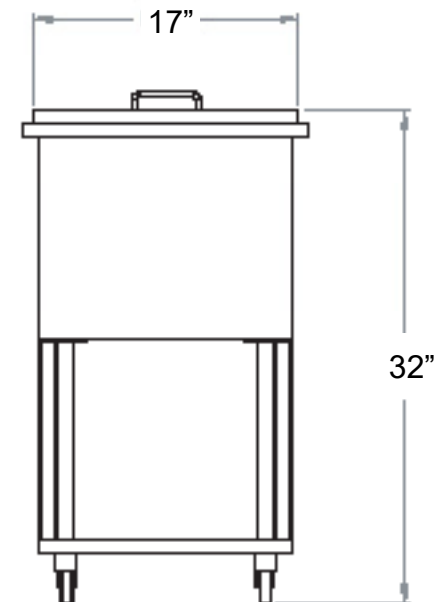
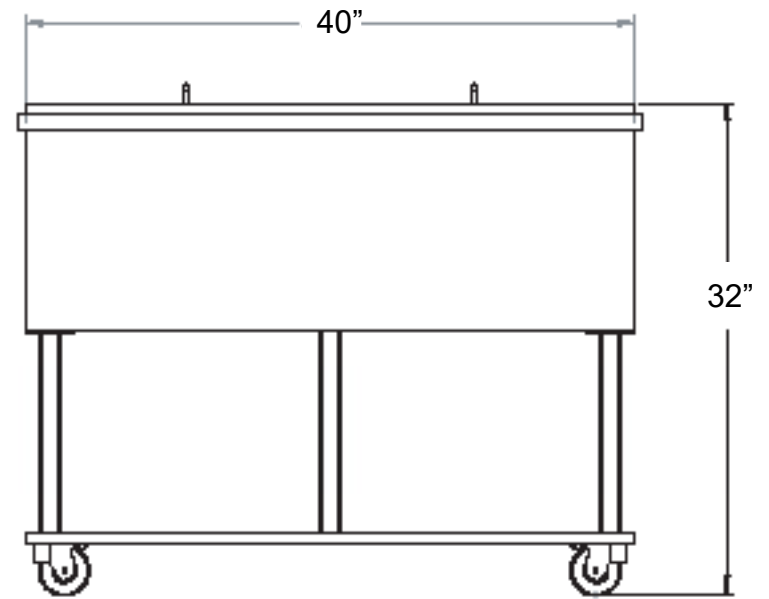
Large Back Bar
Available Space without bottom shelf

Volume	25.5 ft ³
--------	----------------------





Under Bar Ice Bin



Interior Ice Basin Dimension (usable space for ice): 11"H x 14.25" D x 38" W

**** Note: Dimensions are approximate; they have been rounded to nearest whole numbers.**