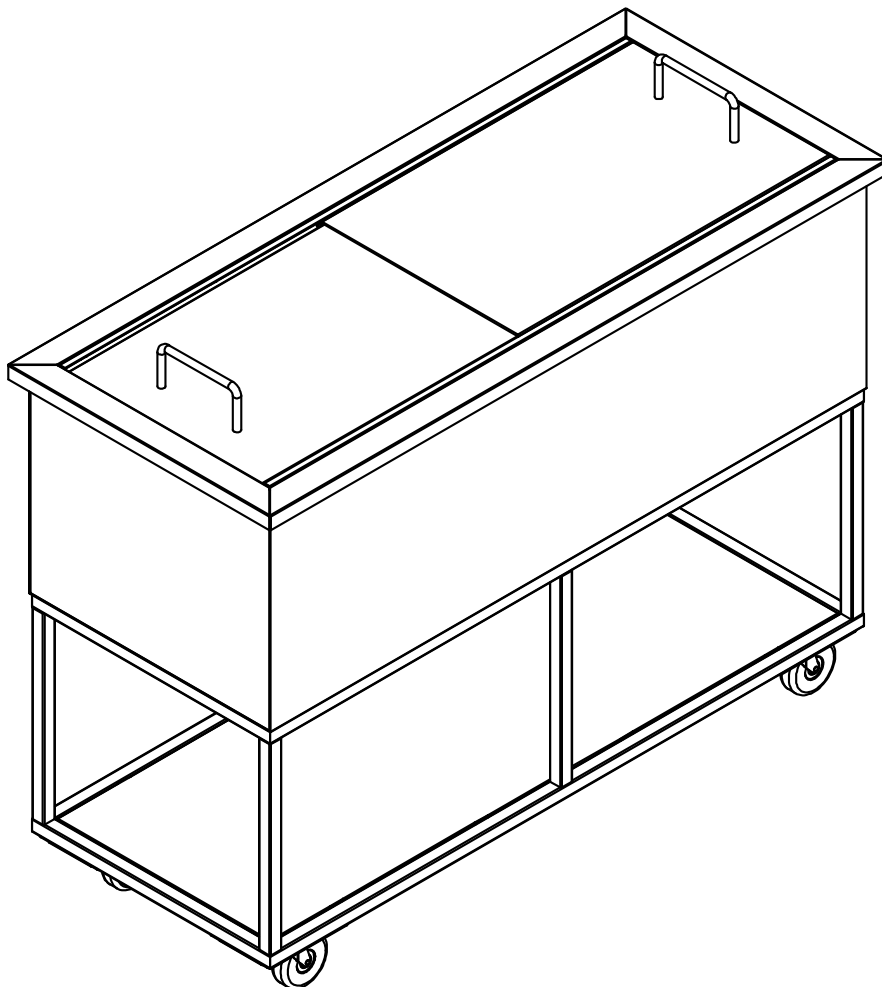
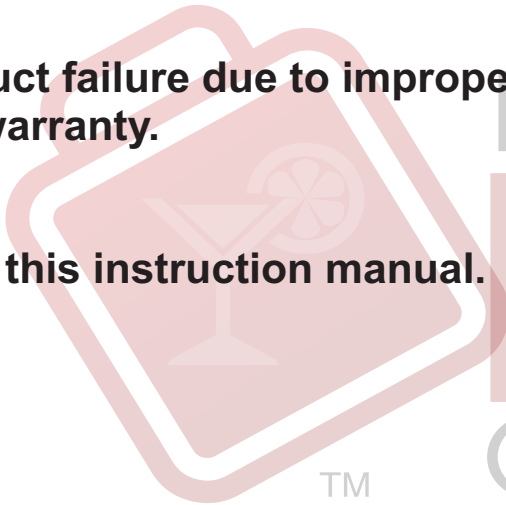




# ICE BIN CART SETUP GUIDE



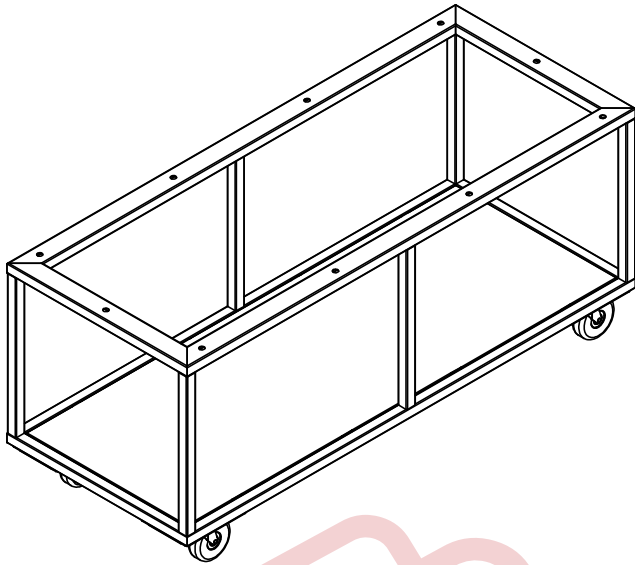
- **Read all the instructions before installing.**
- **Remove all packing materials before you start.**
- **This installation requires basic mechanical skills.**
- **Proper installation is the responsibility of the installer.**
- **Product failure due to improper installation is not covered under the warranty.**
- **Keep this instruction manual.**



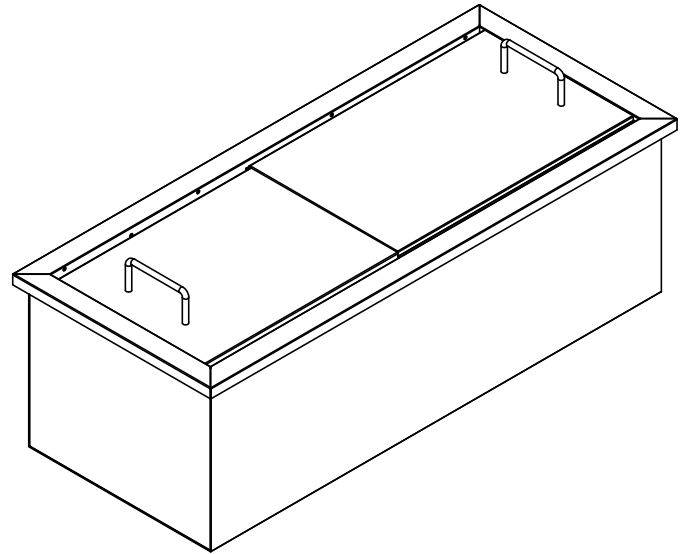
TM

PORTABLE  
BAR  
COMPANY

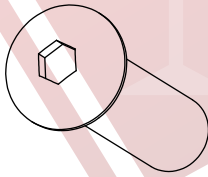
Frame  
QTY: 1



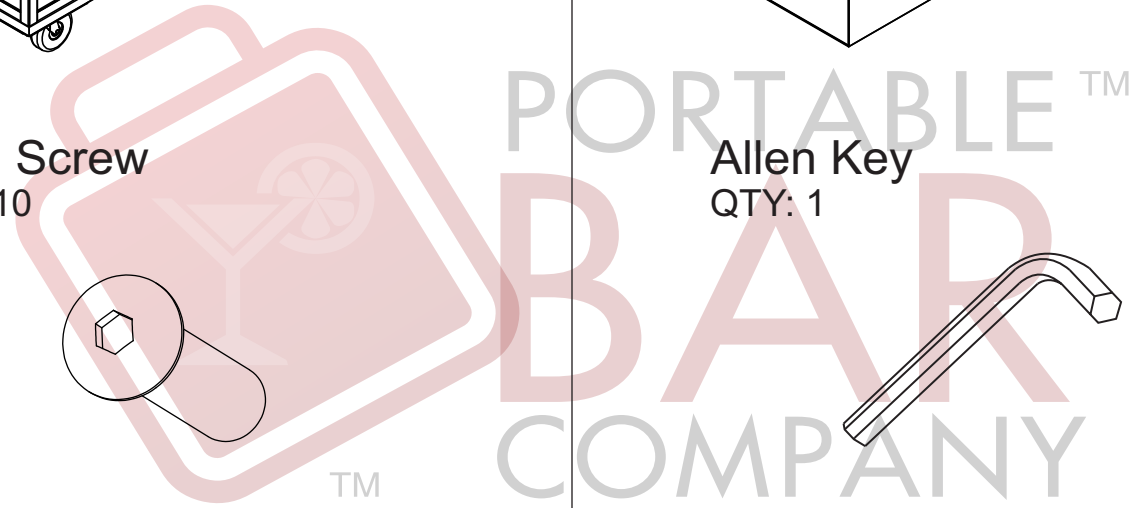
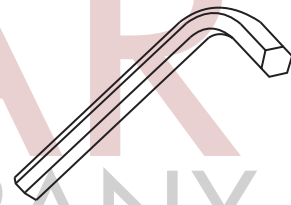
Ice Bin  
QTY: 1



Allen Screw  
QTY: 10



Allen Key  
QTY: 1



*Note: Parts are not to scale.*

**STEP 1:** Place frame on a level surface.

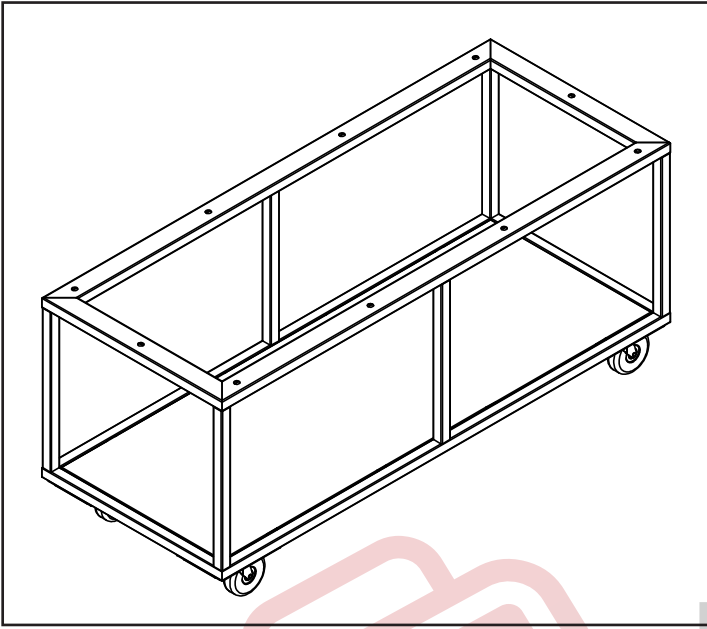


Figure 1

**STEP 3:** Install provided allen screws as shown below.

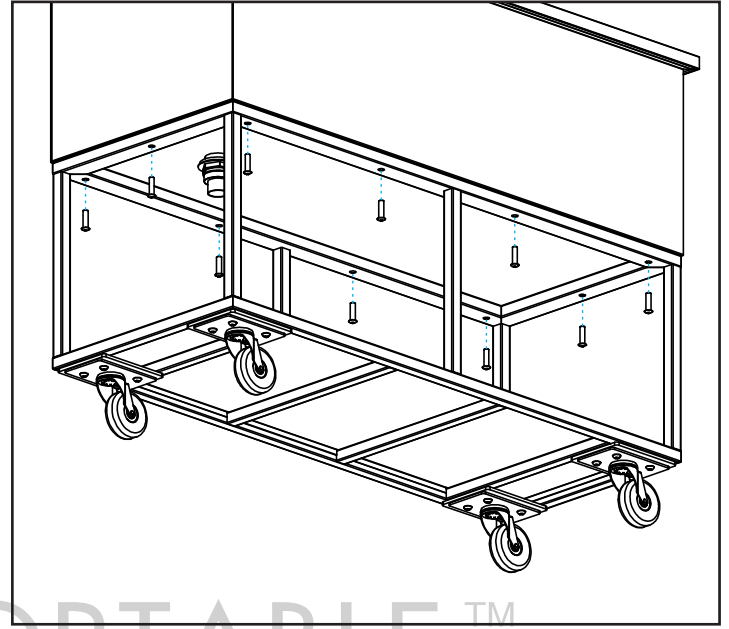


Figure 3

**STEP 2:** Set Ice Bin on top of frame.

*Note: Hold both parts in place until Ice Bin is fully installed.*

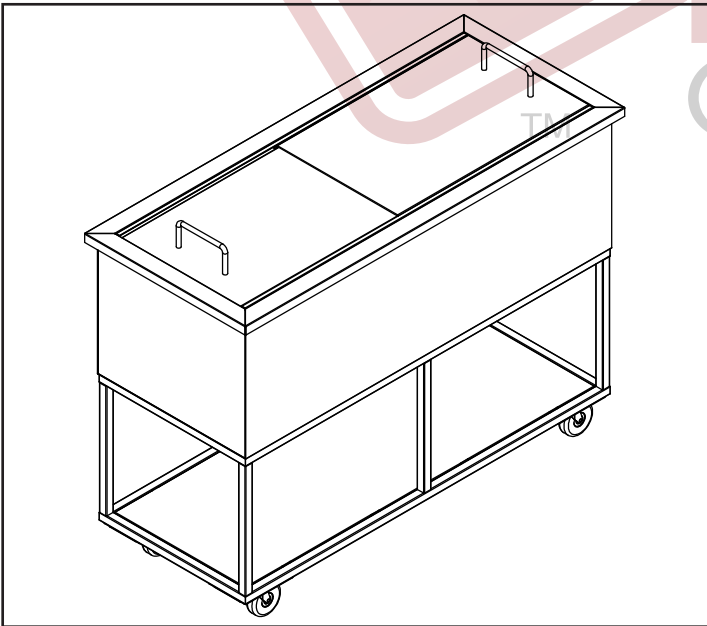


Figure 2



**Contact us**

Tel # 877-958-7901

Fax # 866-659-3353

E-mail: [info@theportablebarcompany.com](mailto:info@theportablebarcompany.com)

**Visit us at**

[www.theportablebarcompany.com](http://www.theportablebarcompany.com)

