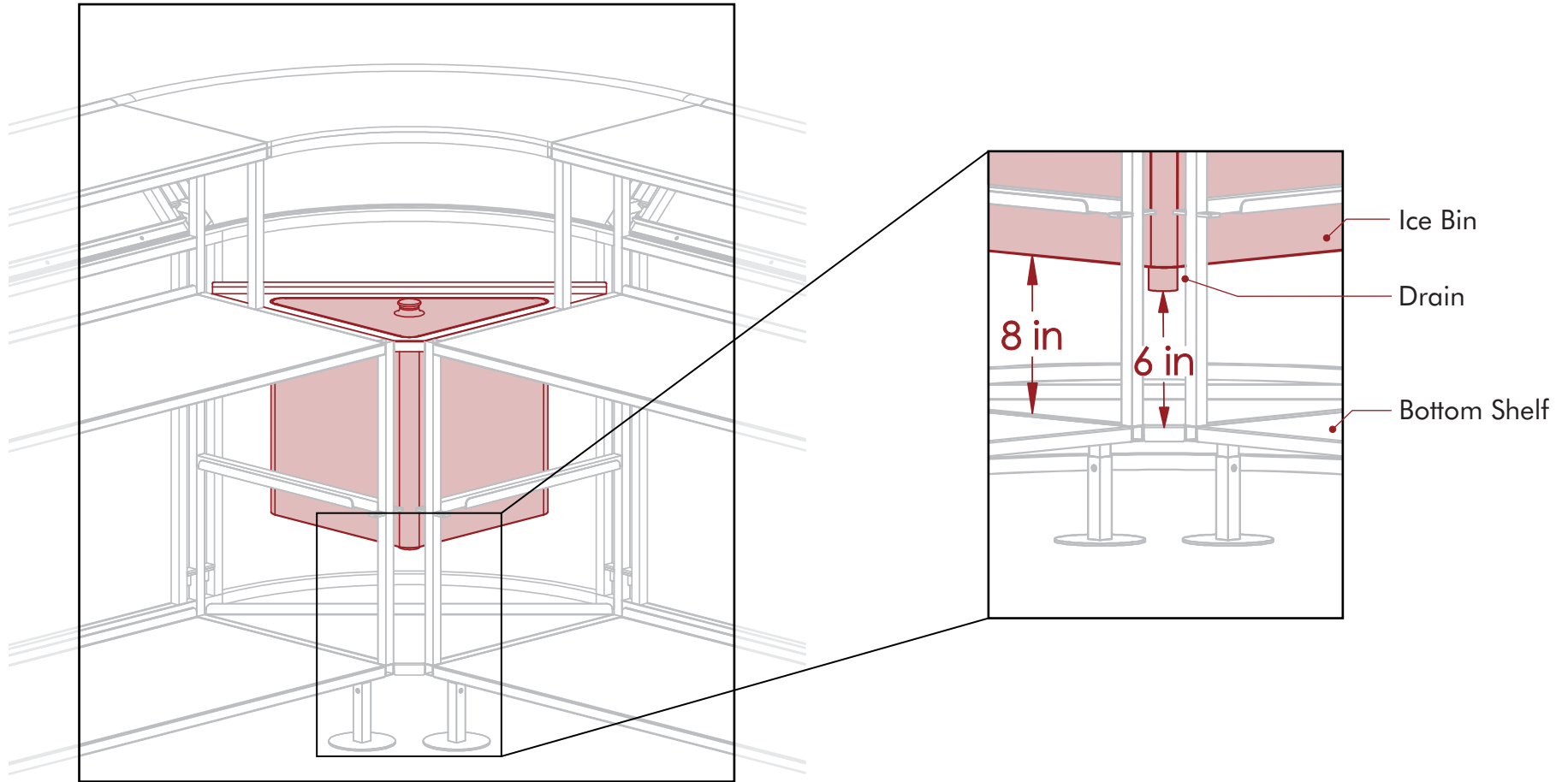


Capacity
20lbs of Crushed Ice



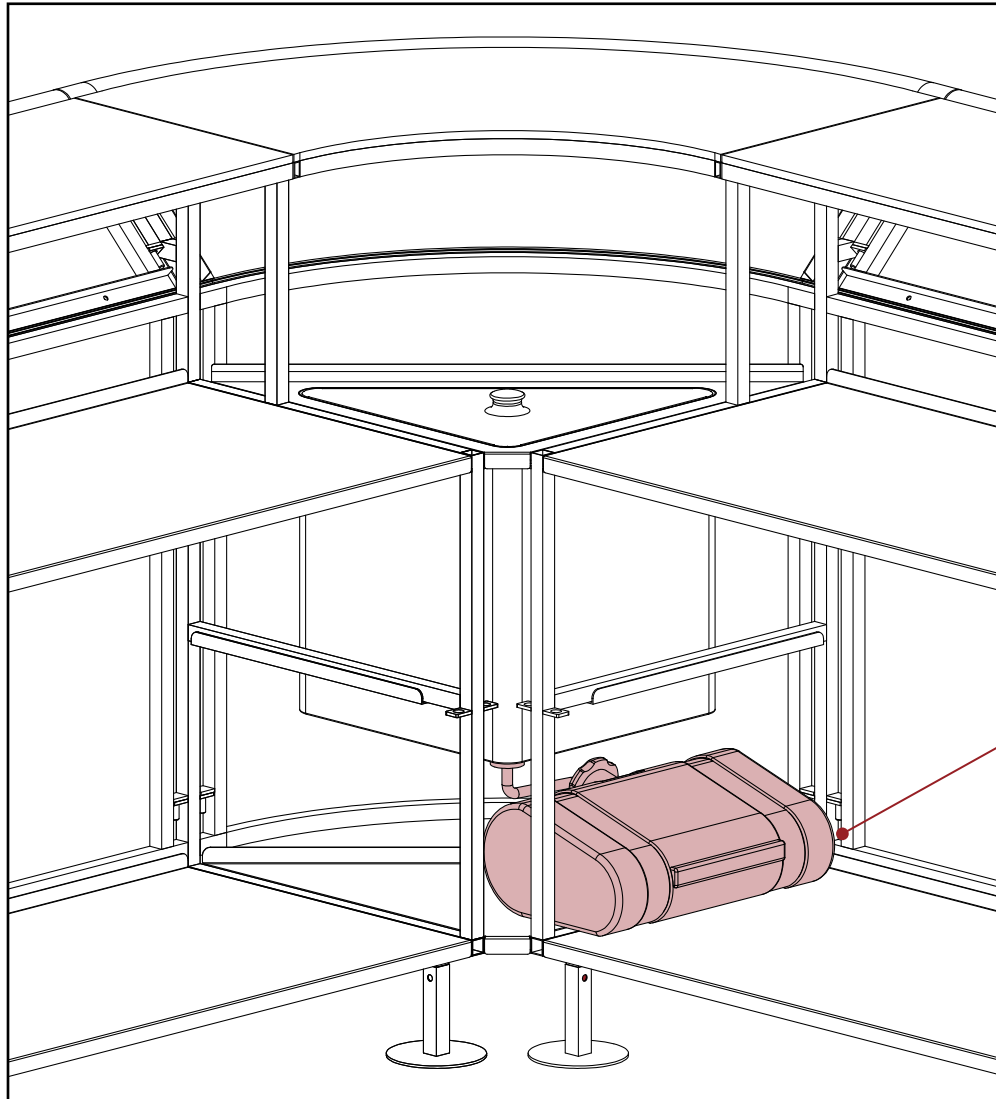
Flash Bar 90 Corner Ice Bin



Flash Bar 90 Corner Ice Bin

ALL DIMENSIONS ARE IN INCHES. THE INFORMATION CONTAINED WITHIN THIS DOCUMENT IS THE SOLE PROPERTY OF THE PORTABLE BAR COMPANY. ANY REPRODUCTION IN PART OR AS A WHOLE WITHOUT THE WRITTEN PERMISSION OF THE PORTABLE BAR COMPANY IS PROHIBITED.

Self-contained Wreywater Tank



Self-contained greywater tanks are an upgrade and not included unless ordered with the ice bin



Flash Bar 90 Corner Ice Bin