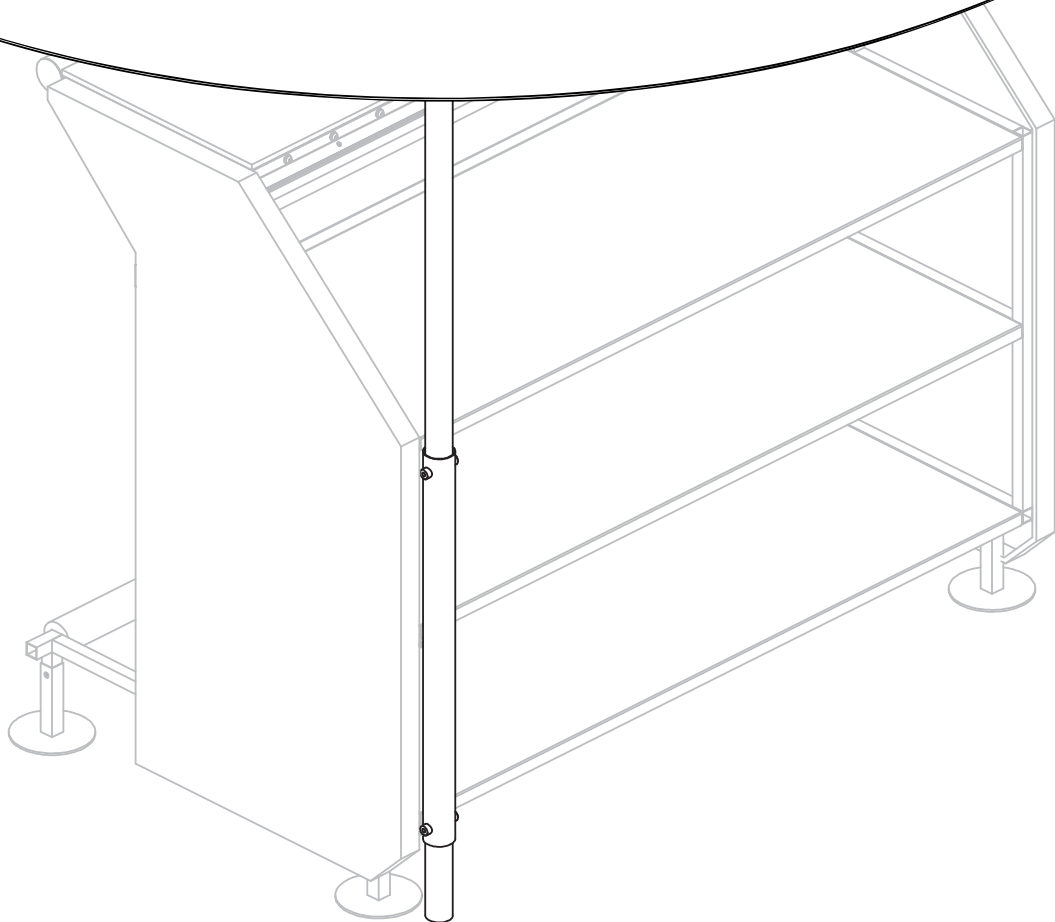


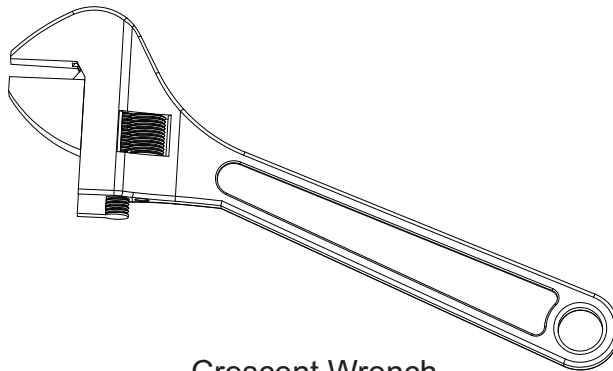


FLASHBAR STRAIGHT SEGMENT SHADE BRACKET



- **Read all the instructions before installing.**
- **Remove all packing materials before you start.**
- **Remove all protection films from acrylic panels.**
- **This installation requires basic mechanical skills.**
- **Proper installation is the responsibility of the installer.**
- **Product failure due to improper installation is not covered under the warranty.**
- **Keep this instruction manual.**

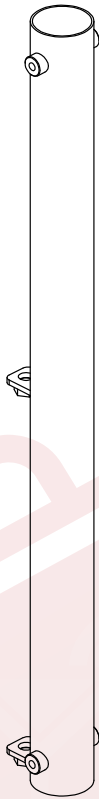
Required Tool



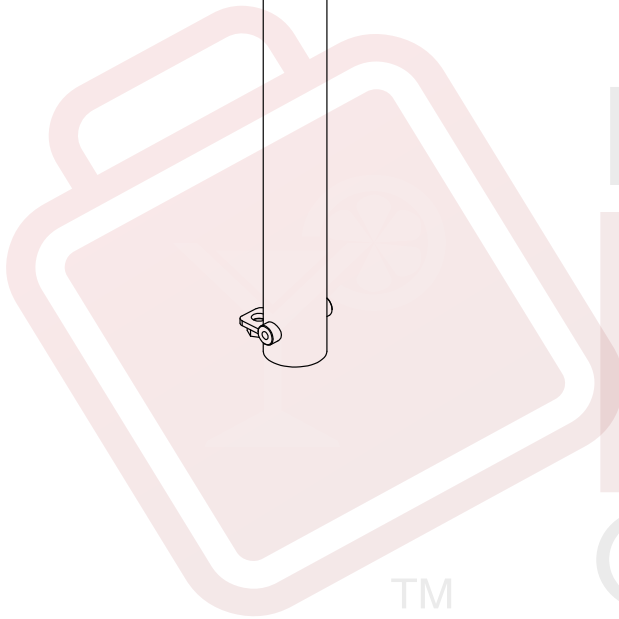
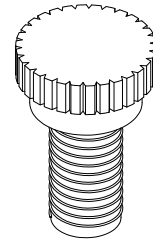
Crescent Wrench

Note: Two persons required to set up this accessory.

Shade Bracket
QTY: 1



Thumbscrew
QTY: 4



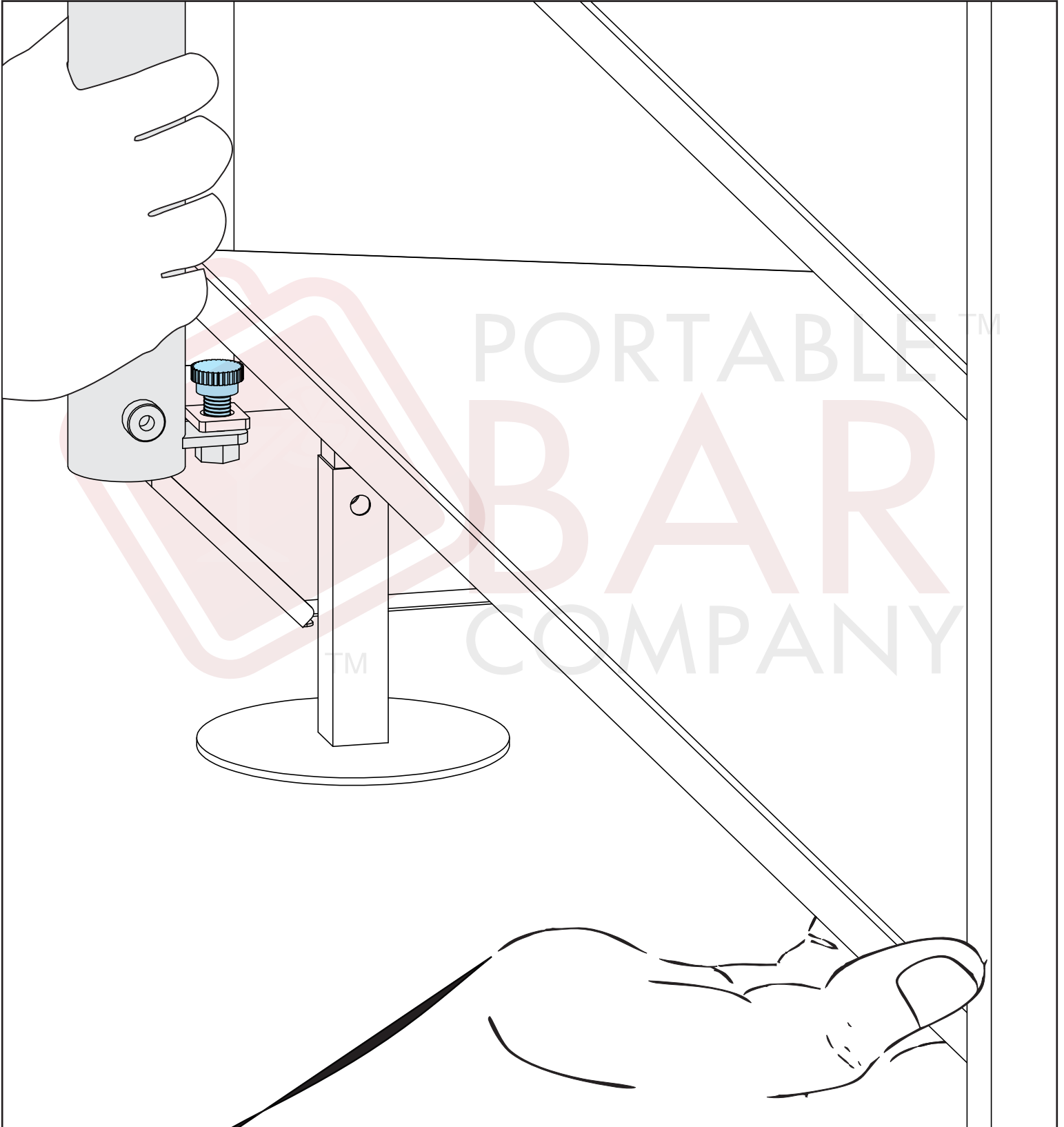
PORTABLE™
BAR
COMPANY

Note: Parts are not to scale.

Note: A fully assembled Flash Bar Straight Segment is required to install this accessory.

Make sure shelves are installed on the desired positions (top, middle or bottom).

STEP 1: Lift bottom shelf while holding Shade Bracket as shown below. Hand tighten bolt.



STEP 2: Finish tightening bolt using a crescent wrench.

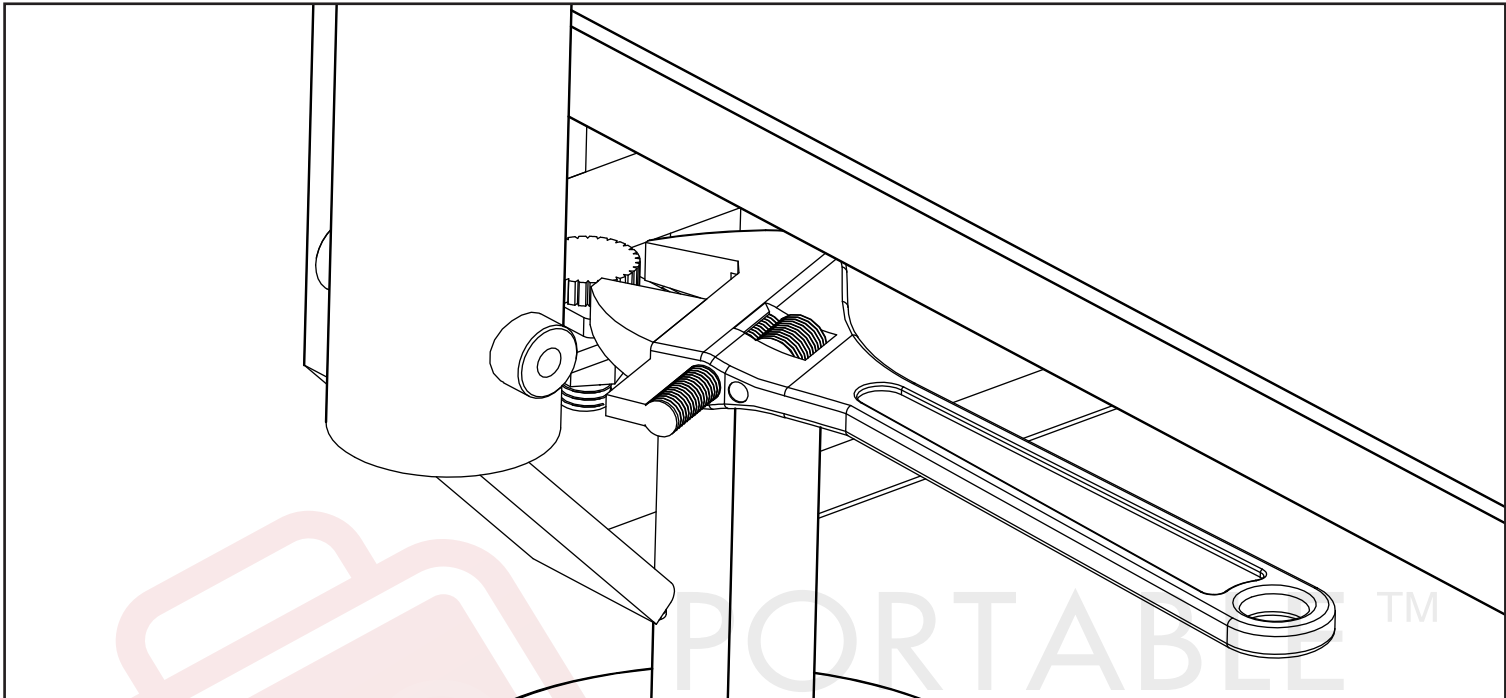
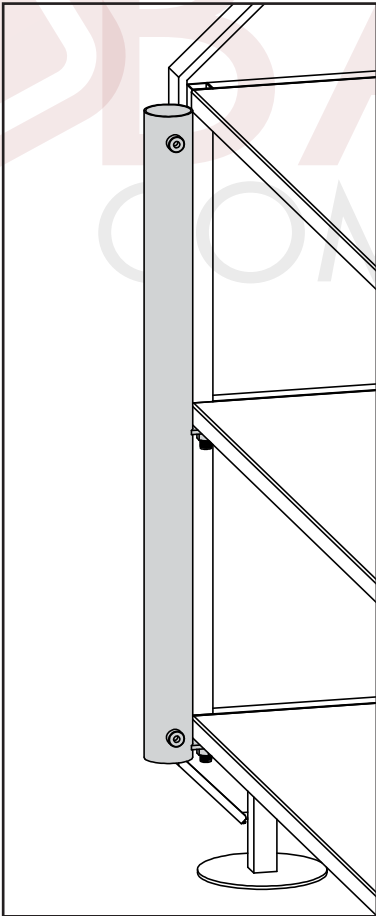


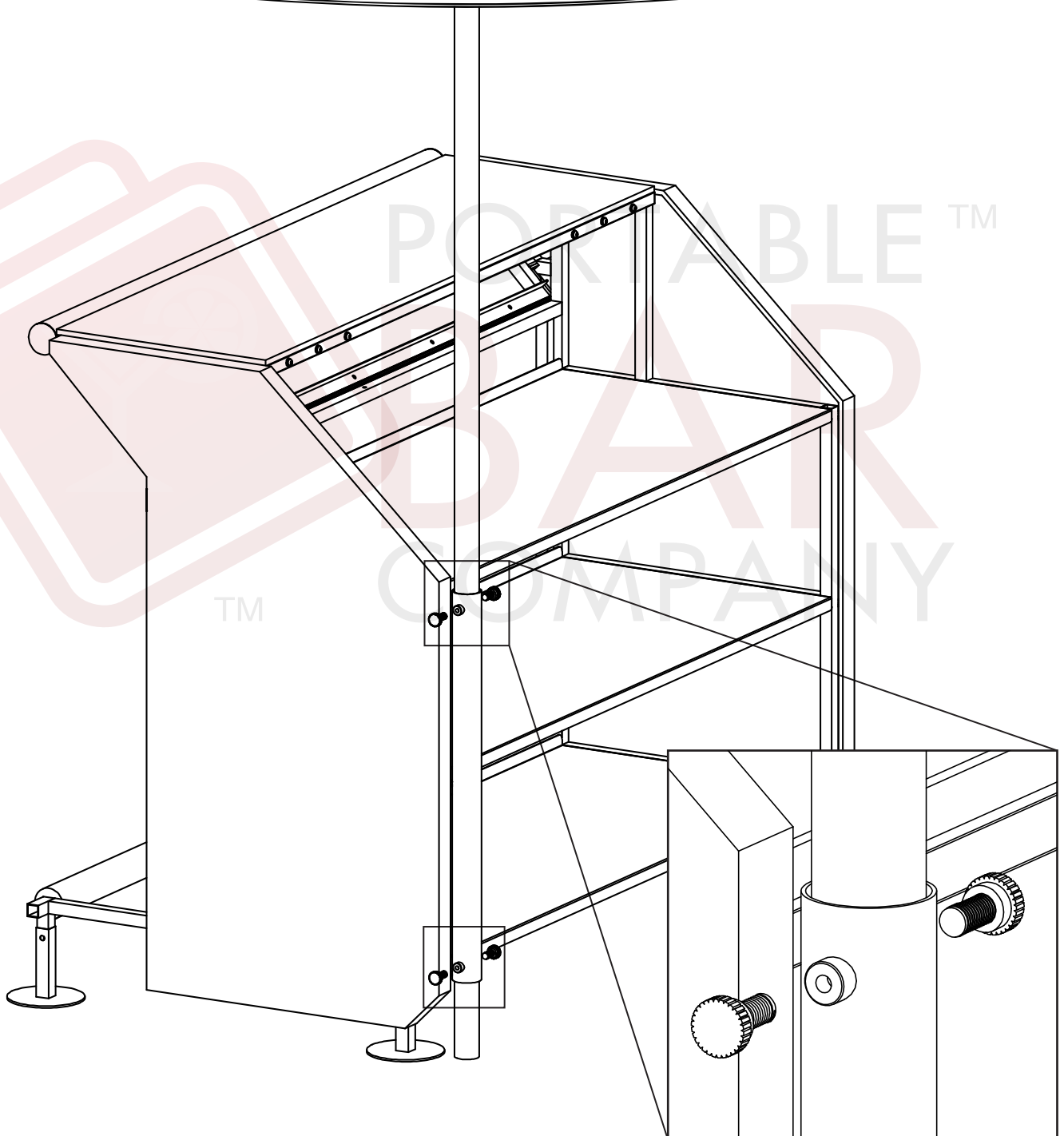
Figure 2

STEP 3: Finish installation by repeating steps 1 & 2 on middle shelf.



Note: Use provided thumbscrews (4) to secure umbrella in place.

Umbrella not included with Shade Bracket purchase





Contact us

Tel # 877-958-7901

Fax # 866-659-3353

E-mail: info@theportablebarcompany.com

Visit us at

www.theportablebarcompany.com

