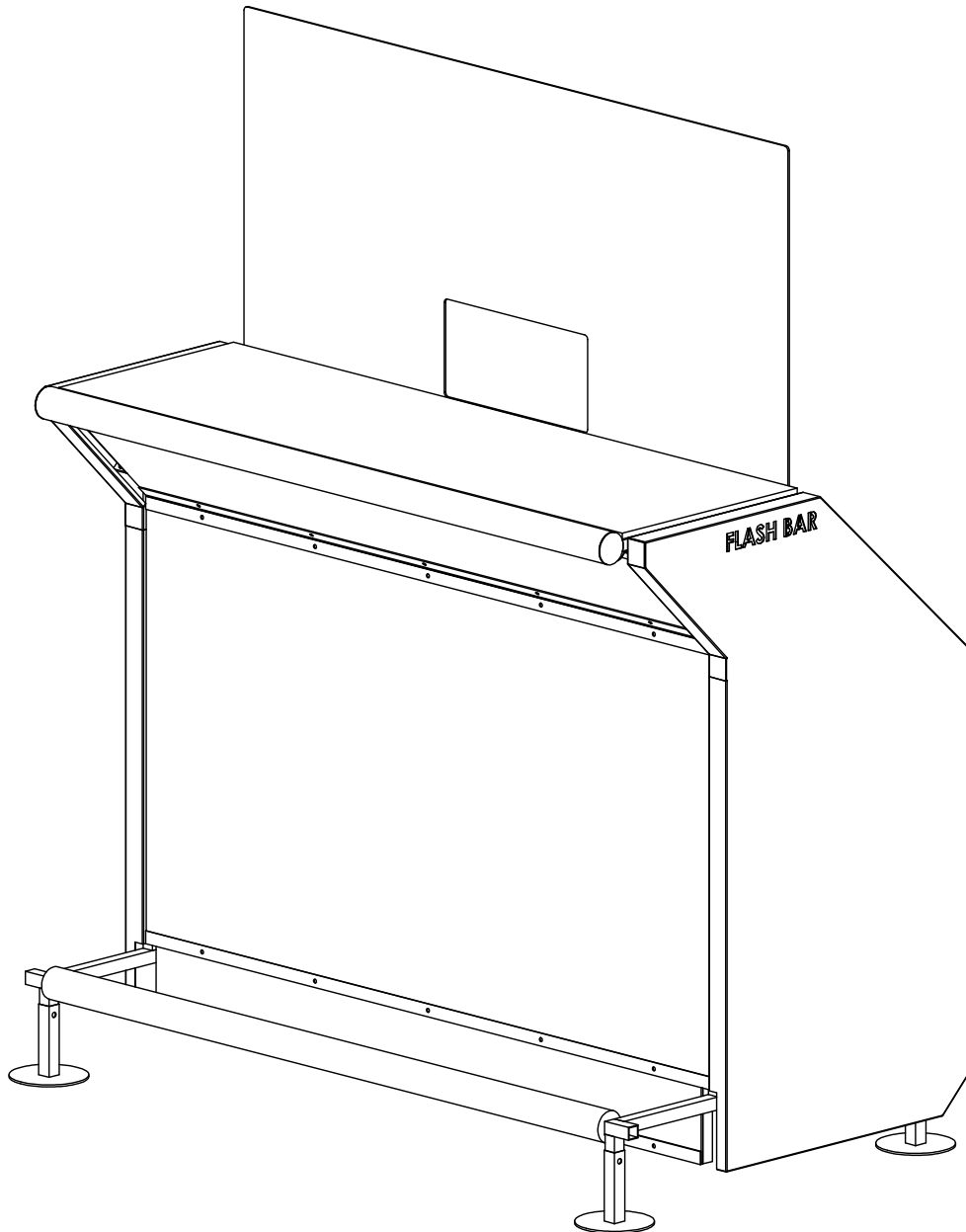




FLASH BAR STRAIGHT SEGMENT SNEEZE GUARD SET UP

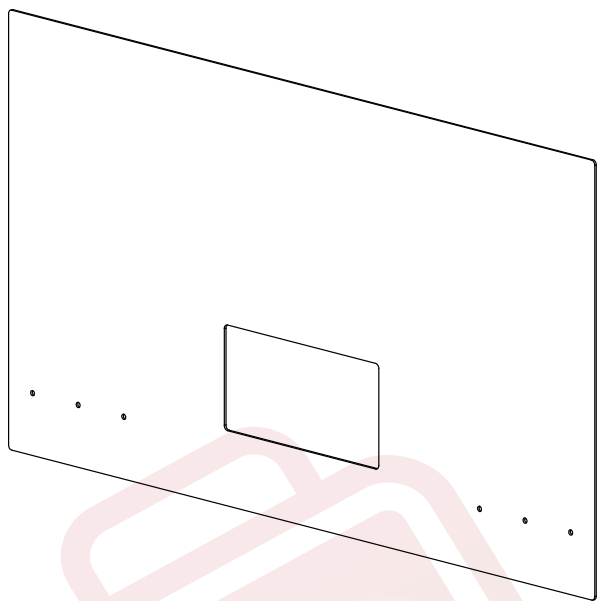


- **Read all the instructions before installing.**
- **Remove all packing materials before you start.**
- **Remove all protection films from acrylic panels.**
- **This installation requires basic mechanical skills.**
- **Proper installation is the responsibility of the installer.**
- **Product failure due to improper installation is not covered under the warranty.**
- **Keep this instruction manual.**

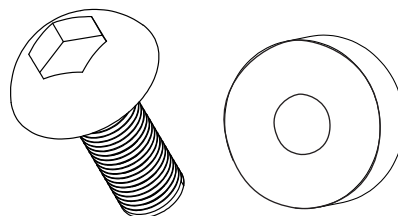
Notes: Two people are required to properly install this accessory.

Check and tighten all hardware regularly to ensure quality and safety of item.

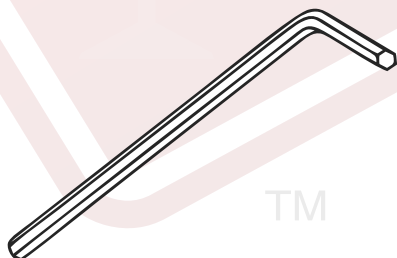
Sneeze Guard Front Piece
QTY: 1



Hex Bolt and washer
QTY: 6 ea



Hex Key
QTY: 1

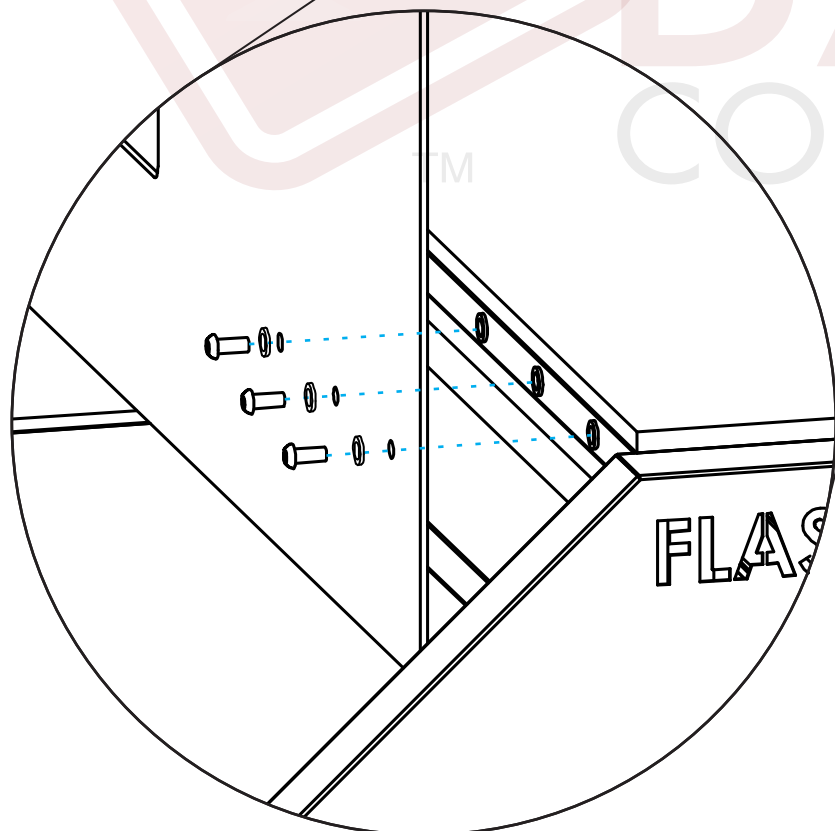
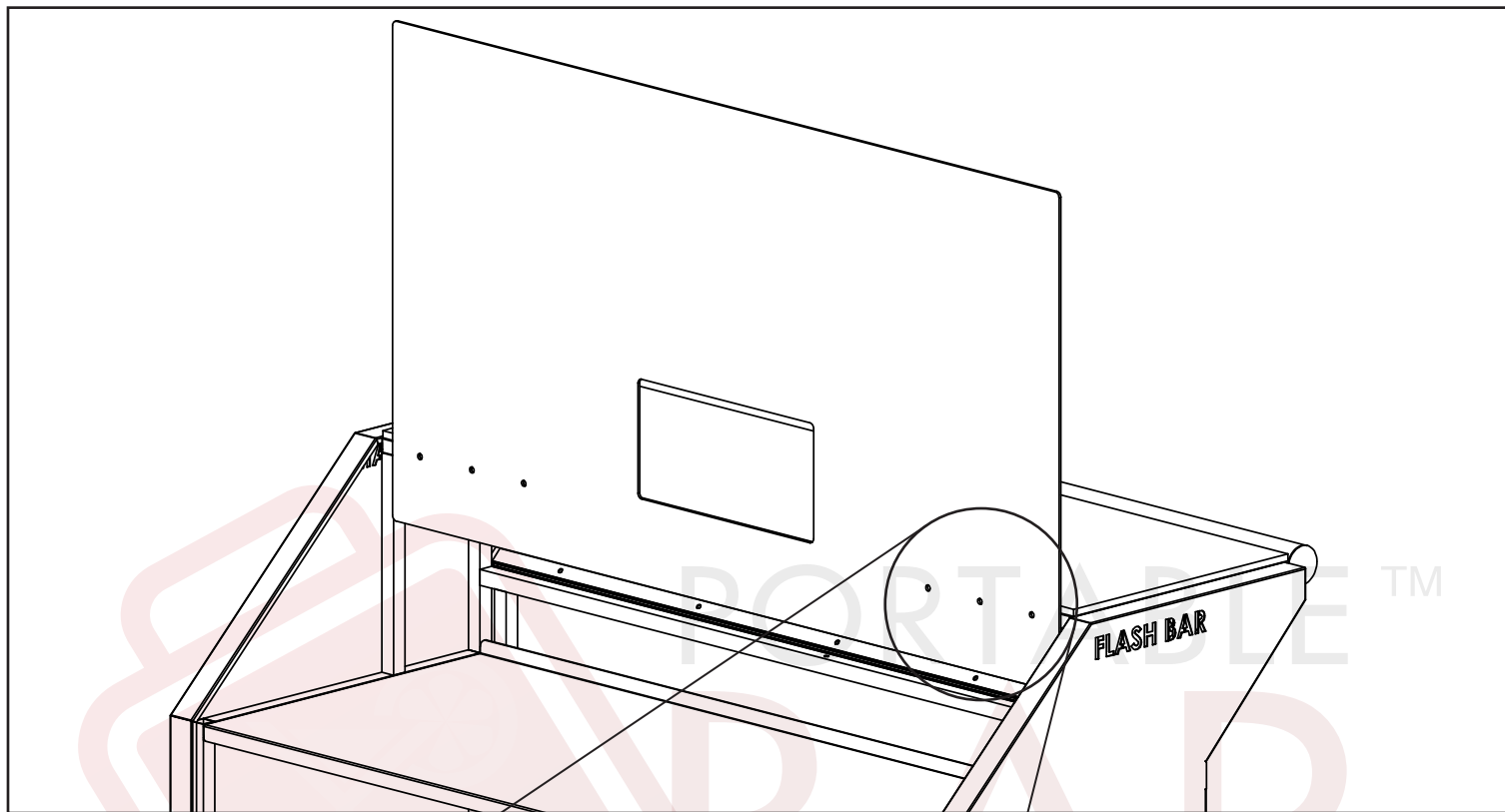


PORTABLE™
BAR
COMPANY

Note: Parts are not to scale.

4 FLASH BAR STRAIGHT SEGMENT SNEEZE GUARD SET UP STEPS

STEP 1: With two people; hold guard in place (as shown below) while align it with the screw holes in the counter.



STEP 2: Install all 6 washers and bolts. Tighten all hex bolts using provided allen key.



Contact us

Tel # 877-958-7901

Fax # 866-659-3353

E-mail: info@theportablebarcompany.com

Visit us at

www.theportablebarcompany.com

