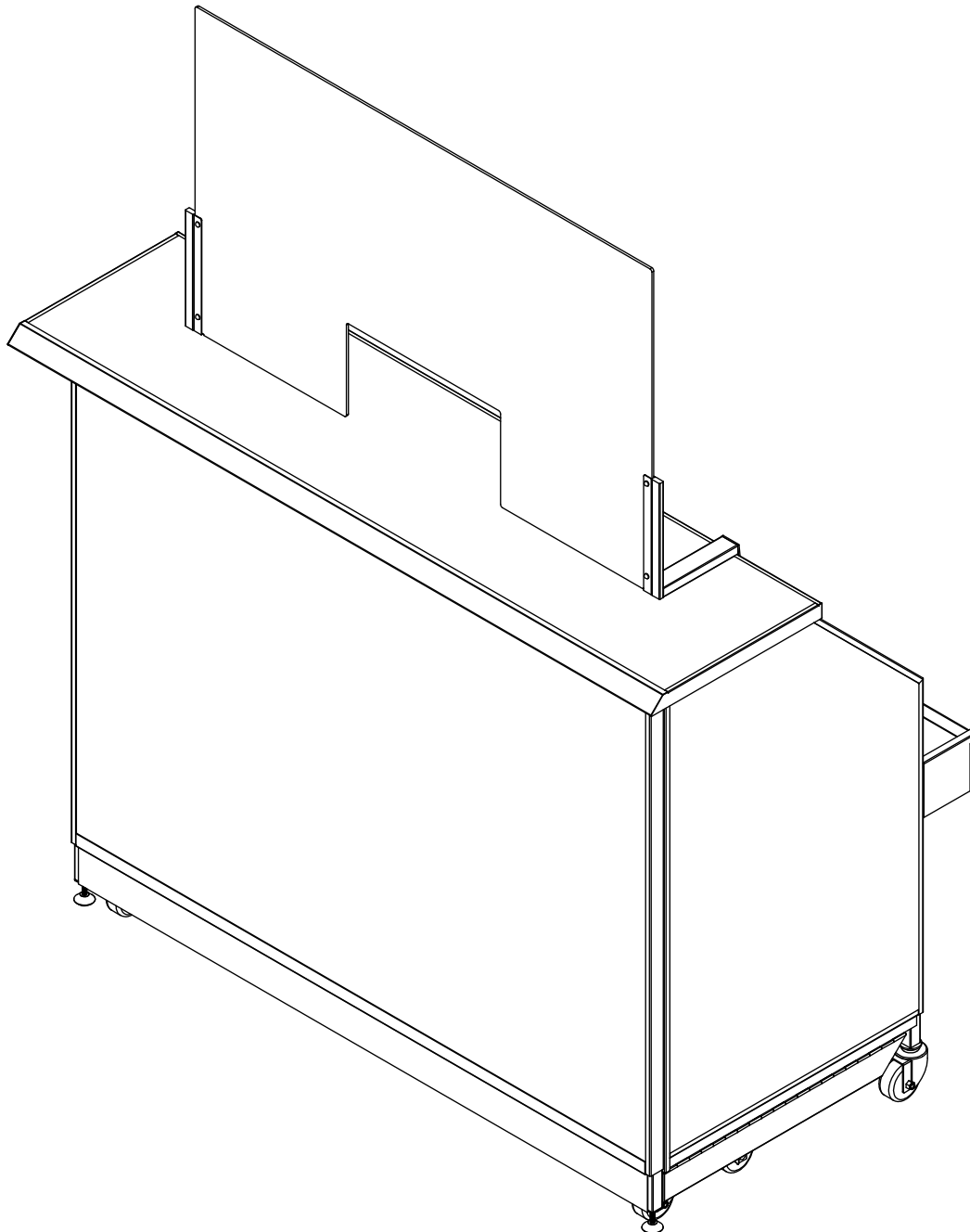




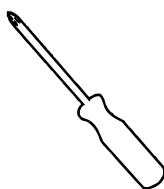
STANDARD PORTABLE BAR SNEEZE GUARD



- **Read all the instructions before installing.**
- **Remove all packing materials before you start.**
- **This installation requires basic mechanical skills.**
- **Proper installation is the responsibility of the installer.**
- **Product failure due to improper installation is not covered under the warranty.**
- **Keep this instruction manual.**

Note: This assembly requires two people to insure a safe and easy installation.

Required tools

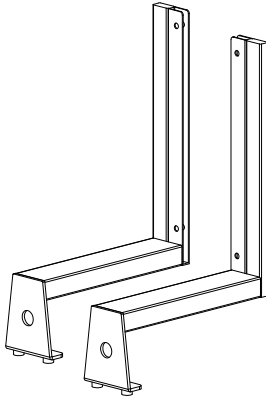


Phillips Screwdriver

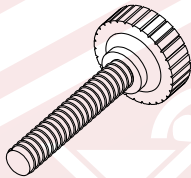


Crescent Wrench

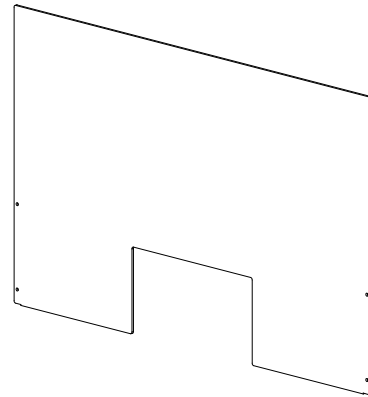
Left and right bracket
QTY: 1ea



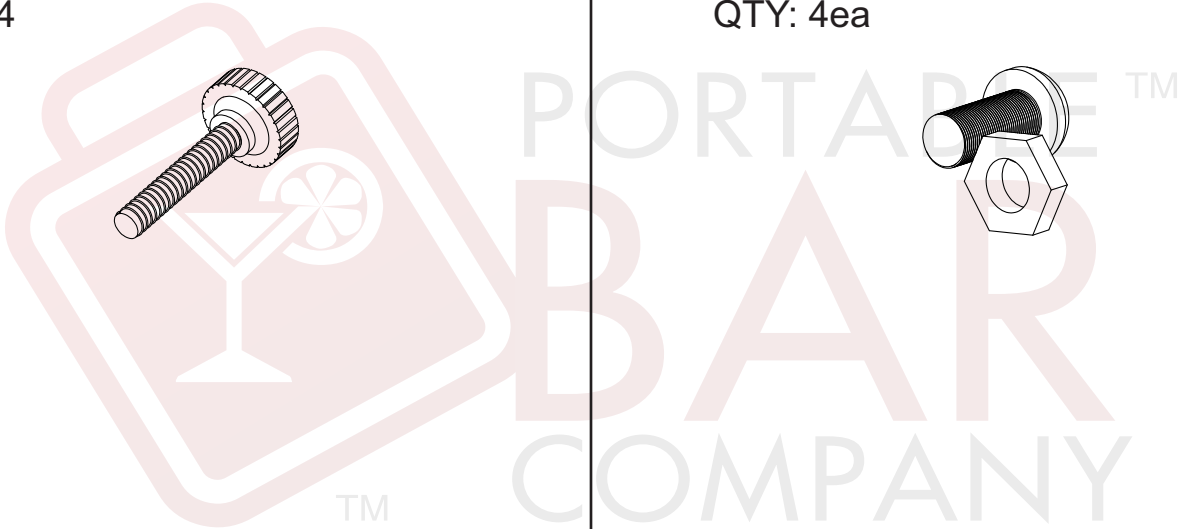
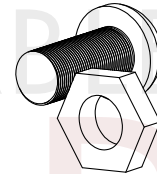
Thumbscrew
QTY: 4



Acrylic Guard
QTY: 1



Screw and nut
QTY: 4ea



Note: Parts are not to scale.

PROPRIETARY AND CONFIDENTIAL
THE INFORMATION CONTAINED WITHIN THIS DOCUMENT IS THE SOLE PROPERTY OF THE PORTABLE BAR COMPANY
ANY REPRODUCTION IN PART OR AS A WHOLE WITHOUT THE WRITTEN PERMISSION OF THE PORTABLE BAR COMPANY IS PROHIBITED.

STANDARD BAR SNEEZE GUARD SETUP

STEP 1: Place right bracket on the far right side of the counter.

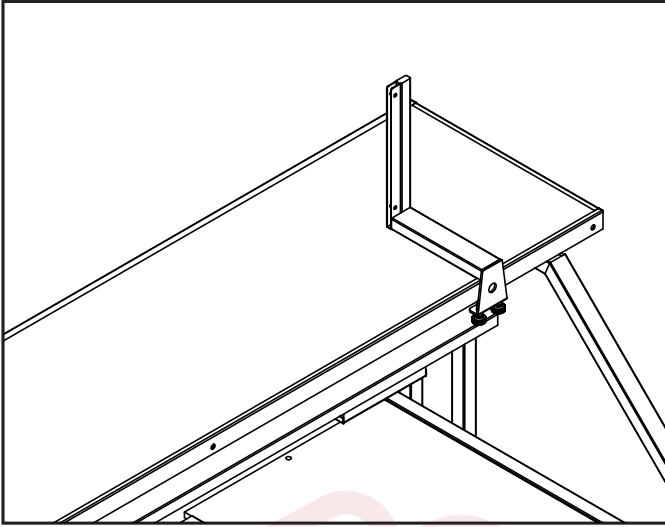


Figure 1

STEP 2: Tighten thumbscrews lightly.

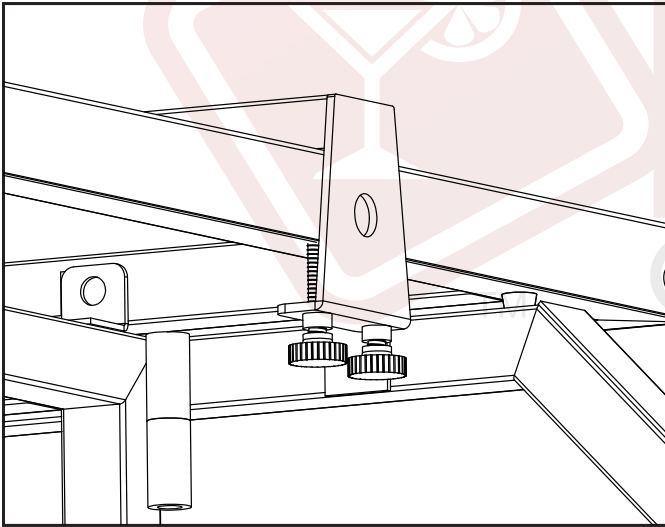


Figure 2

STEP 3: Repeat previous steps to install left side bracket.

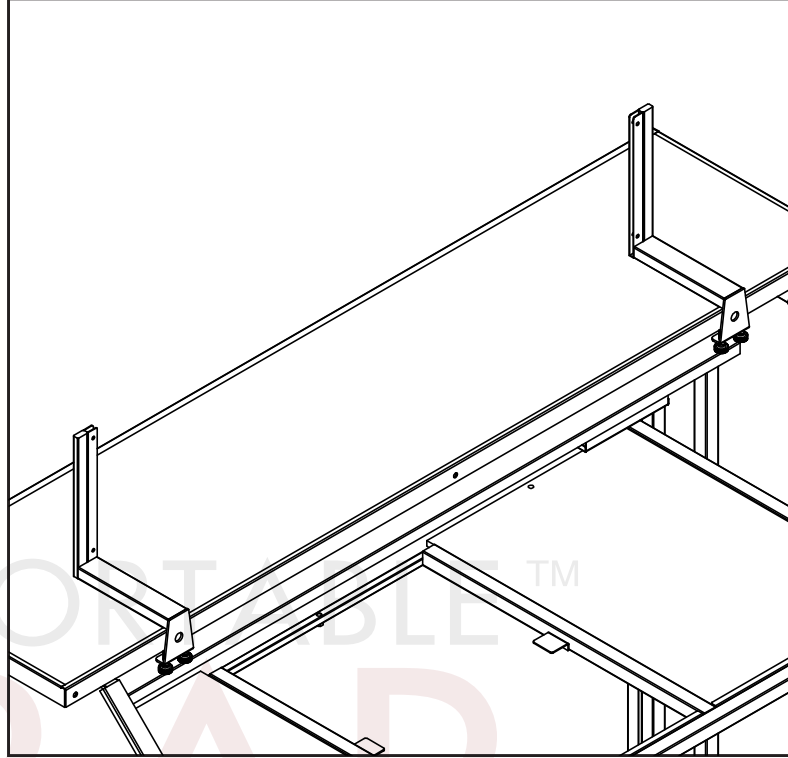


Figure 3

STEP 4: Slide in acrylic guard in between the bracket's channels. Adjust brackets position to place guard as shown below.

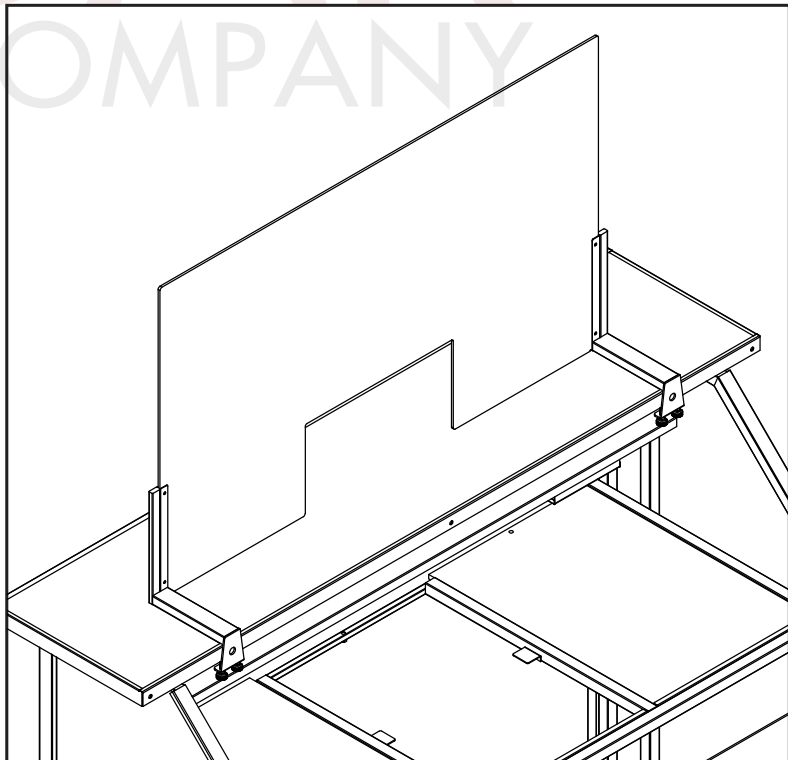


Figure 4

STEP 5: Install provided screws and nuts through the bracket's holes (4). Tighten using a phillips screwdriver and wrench.

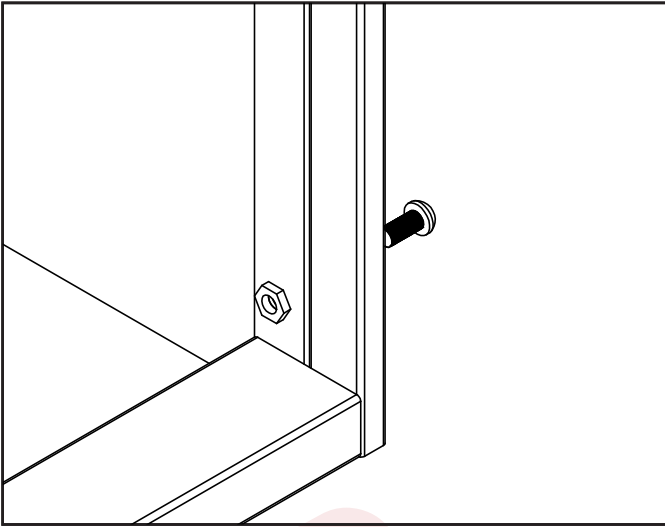


Figure 5

STEP 6: Tighten bracket's thumbscrews.

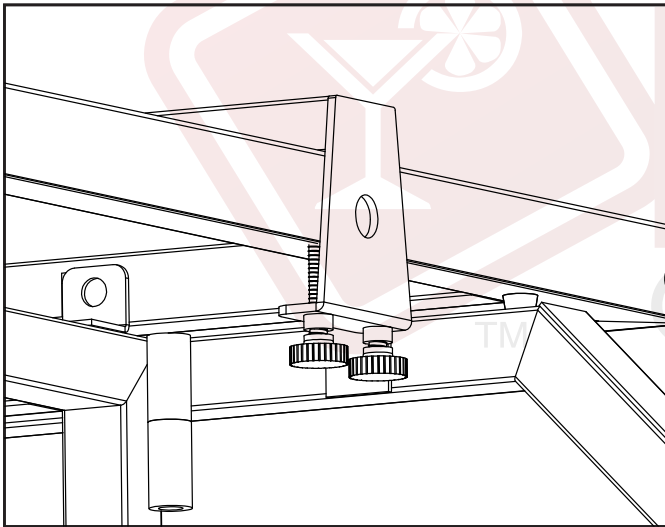


Figure 6



Contact us

Tel # 877-958-7901

Fax # 866-659-3353

E-mail: info@theportablebarcompany.com

Visit us at

www.theportablebarcompany.com

