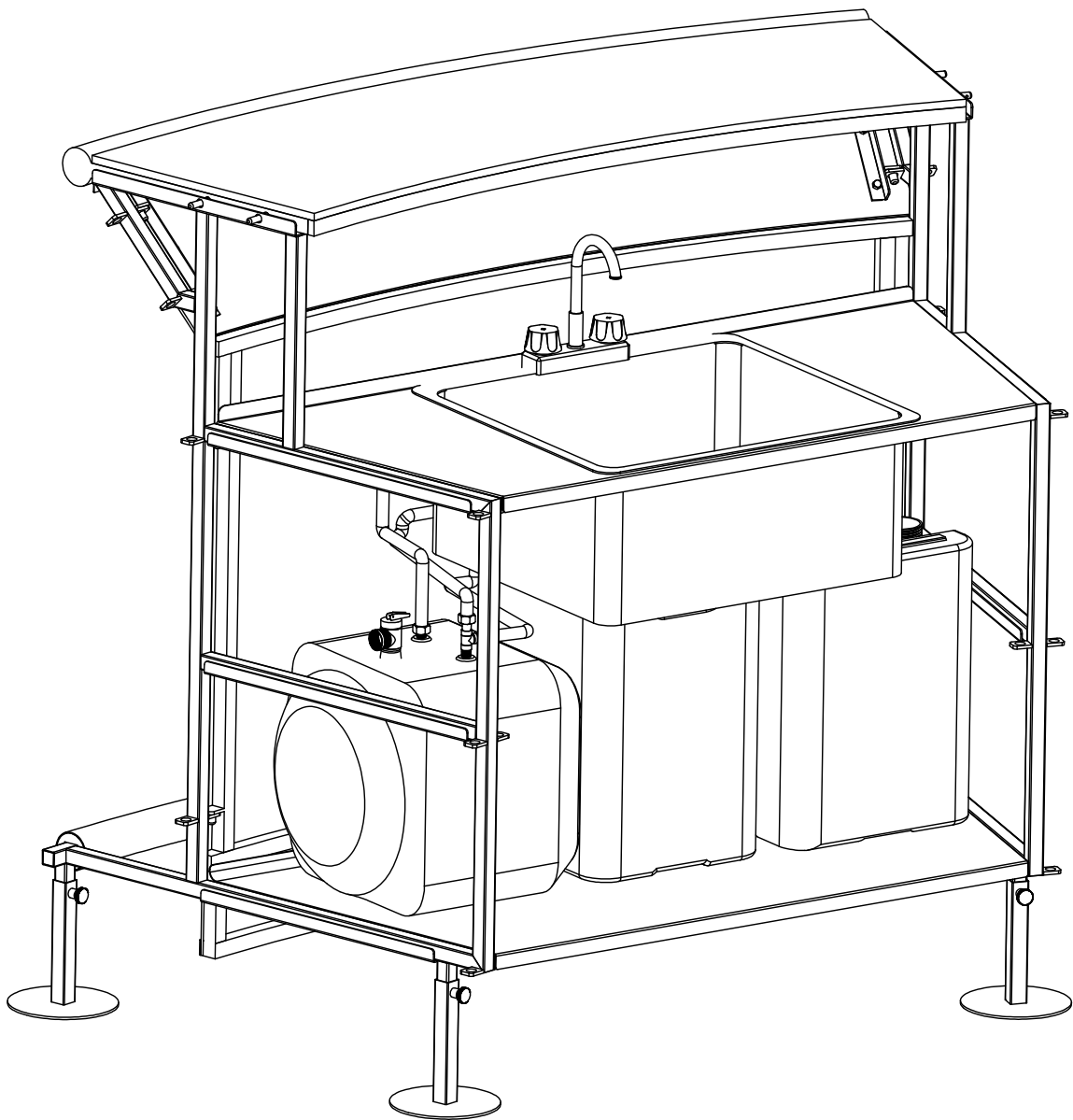


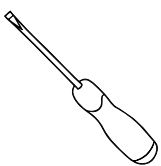


PORTABLE SINK SYSTEM



- **Read all the instructions before installing.**
- **Remove all packing materials before you start.**
- **This installation requires basic mechanical skills.**
- **Proper installation is the responsibility of the installer.**
- **Product failure due to improper installation is not covered under the warranty.**
- **Keep this instruction manual.**

Required tools



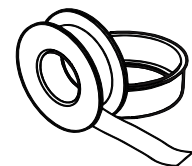
Slotted Screwdriver



Pipe Pliers



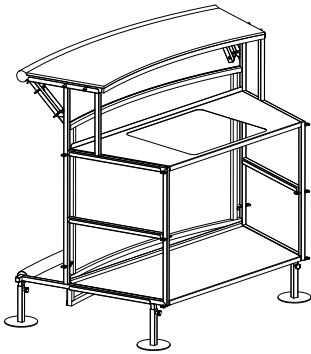
Crescent Wrench



Teflon Tape

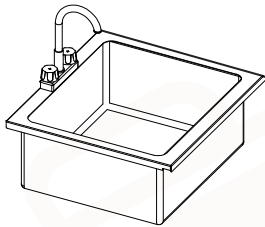
Main Frame

QTY: 1



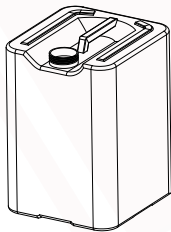
Sink

QTY: 1



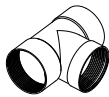
Tanks

QTY: 2



Splitter

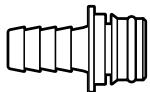
QTY: 1



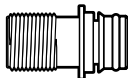
Adapters

QTY: 4

1 x (A)



1 x (B)



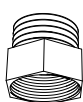
2 x (C)



Couplings

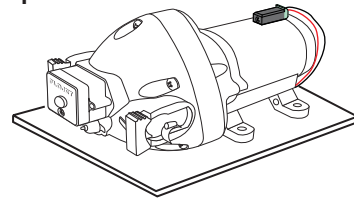
QTY: 2

(D)



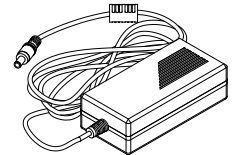
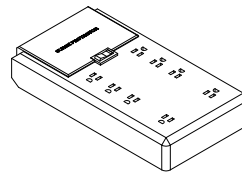
Pump

QTY: 1

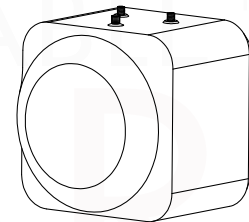


Surge protector and Power adapter

QTY: 1 ea



Water Heater



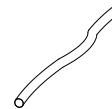
Pressure Relief Valve

QTY: 1



Plastic hose and clamp

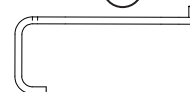
QTY: 1 ea



Braided Hoses

QTY: 3

3 x 30"



Note: Parts are not to scale.

SETUP

STEP 1: Connect two of the three braided hoses to the sink faucet. Use as much teflon tape as needed.

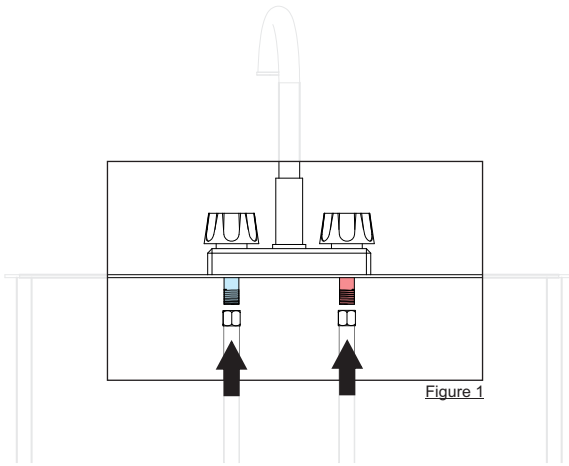


Figure 1

STEP 2: Then insert the sink in the cutout of the upper shelf.

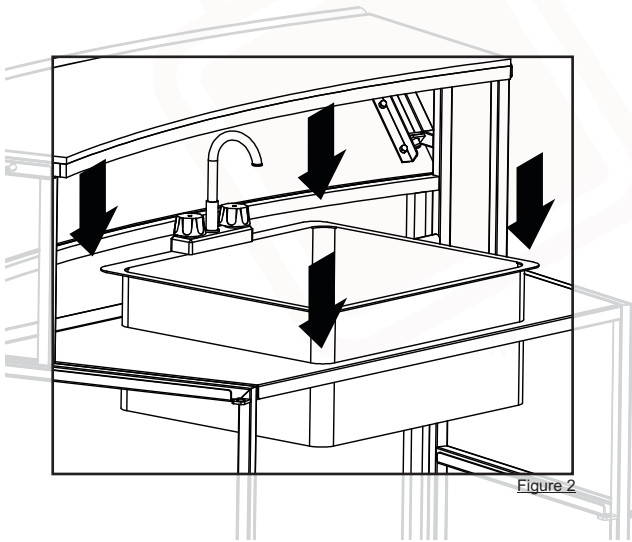


Figure 2

STEP 3: Before the sink is fully set down, slide in the gray water tank and align the sink's drainer piece with the opening at the top of the tank.

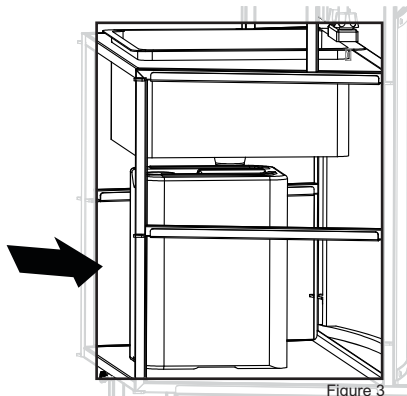


Figure 3

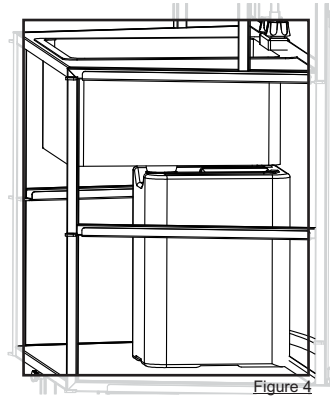


Figure 4

STEP 4: Install adapter (A) to the inlet port of the pump; first push the adapter into the pump, then fix the adapter in place by pushing the mounted blue clamp; as shown below. Repeat process for adapter (B). Use as much teflon tape as needed.

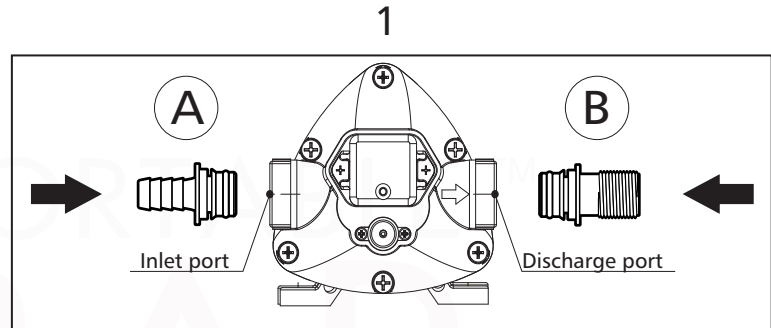


Figure 5

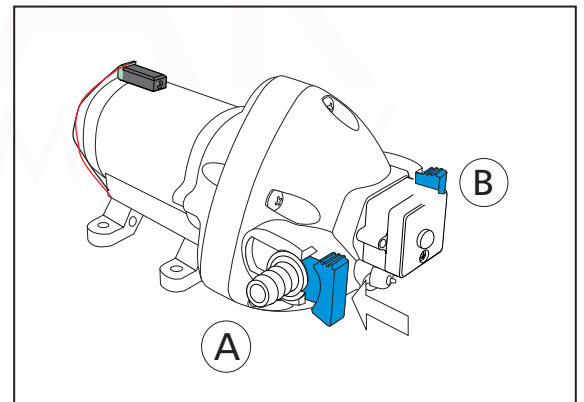


Figure 6

STEP 5: Slide in the clean water tank as shown below.

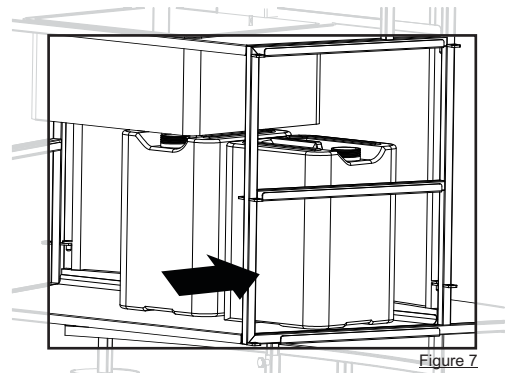


Figure 7

STEP 6: Install the plastic hose in the pump's inlet port using a hose clamp.

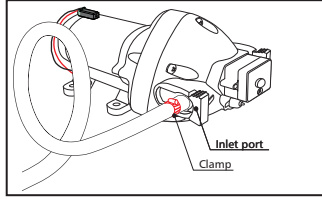


Figure 8

STEP 7: Place the pump on top of the clean water tank then insert the plastic hose inside the clean water tank.

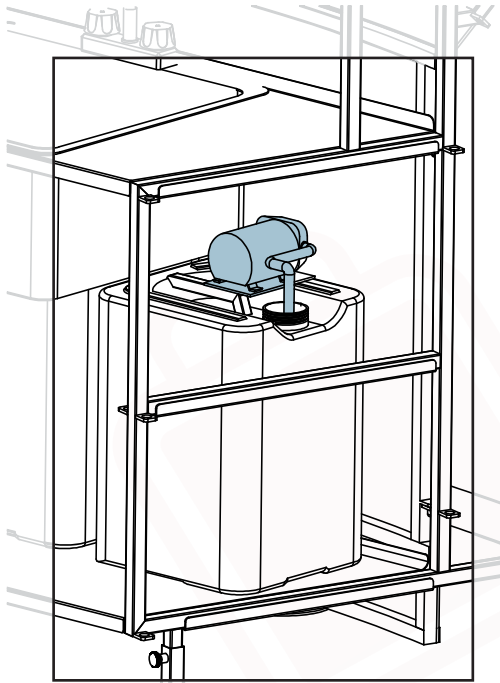


Figure 9

STEP 8: Install the pressure relief valve on top of the heater as shown below. Then proceed to install coupling (D) in both hot and cold fittings. Use as much teflon tape as needed.

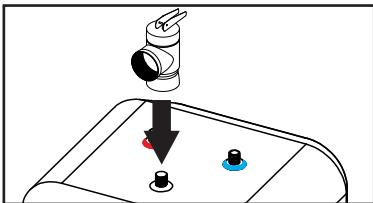


Figure 10

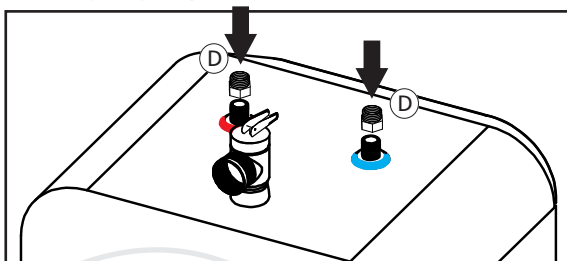


Figure 11

STEP 9: Install splitter on the cold side of the heater.

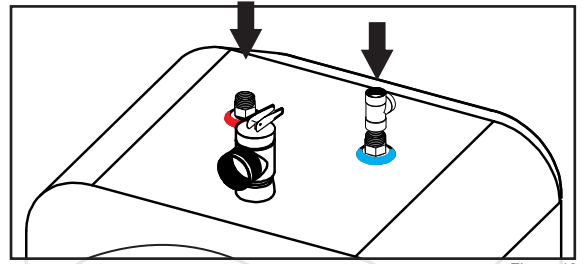


Figure 12

STEP 10: Install both adapters (C) on the splitter, as shown below.

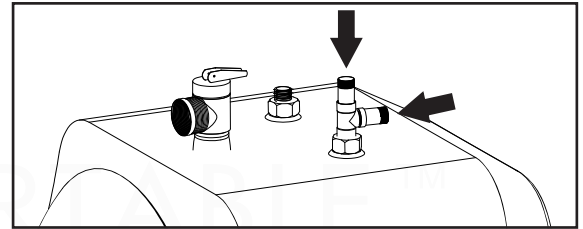


Figure 13

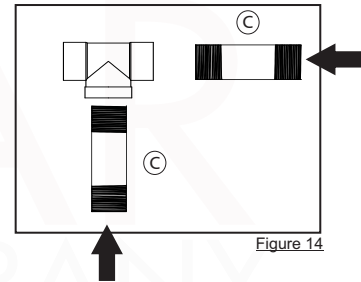


Figure 14

Note: Use as much teflon as needed on all threads.

STEP 11: Place the water heater to the left of the grey water, as shown below.

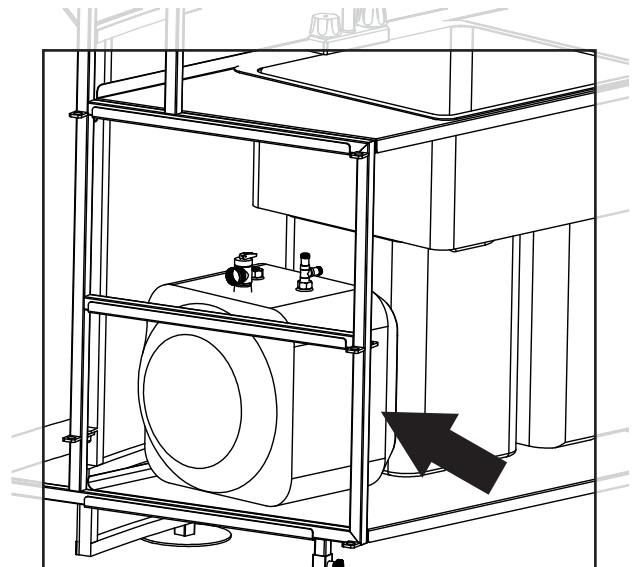


Figure 14

SETUP

STEP 12: Connect the braided hoses from the faucet to the hot and cold sides of the water heater. Then take the last braided hose and plug it to the cold side of the water heater and to the pump. Follow the figures bellow.

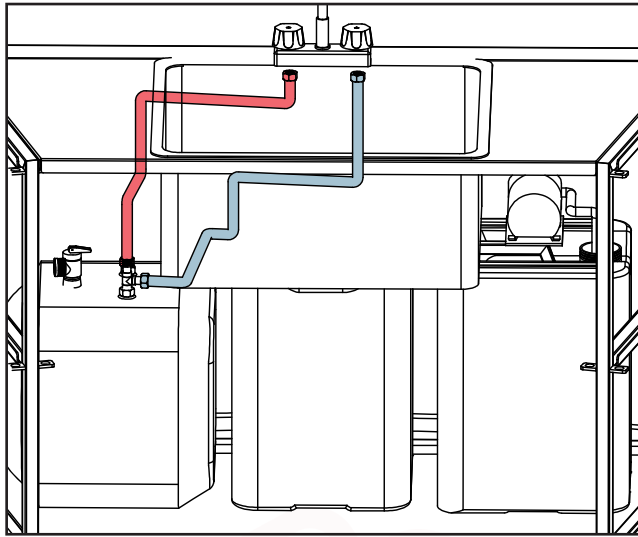


Figure 15

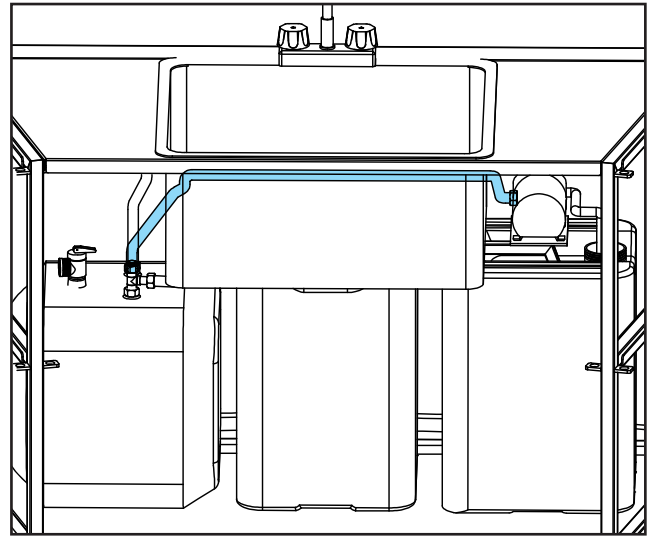


Figure 16

STEP 13: Set the surge protector and power adapter on the back panel using provided velcro adhesive tape.

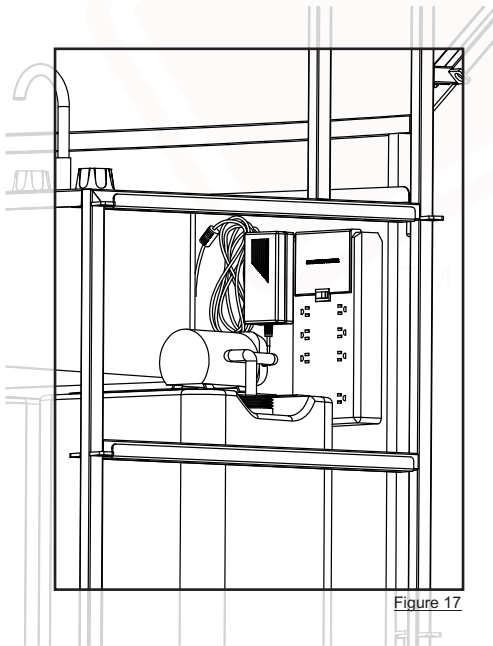


Figure 17

STEP 14: Plug the water heater and power adapter to the surge protector.

**Do not plug the power supply to the wall or battery yet.
Pump is active when plugged in.
There's no on/off switch.**

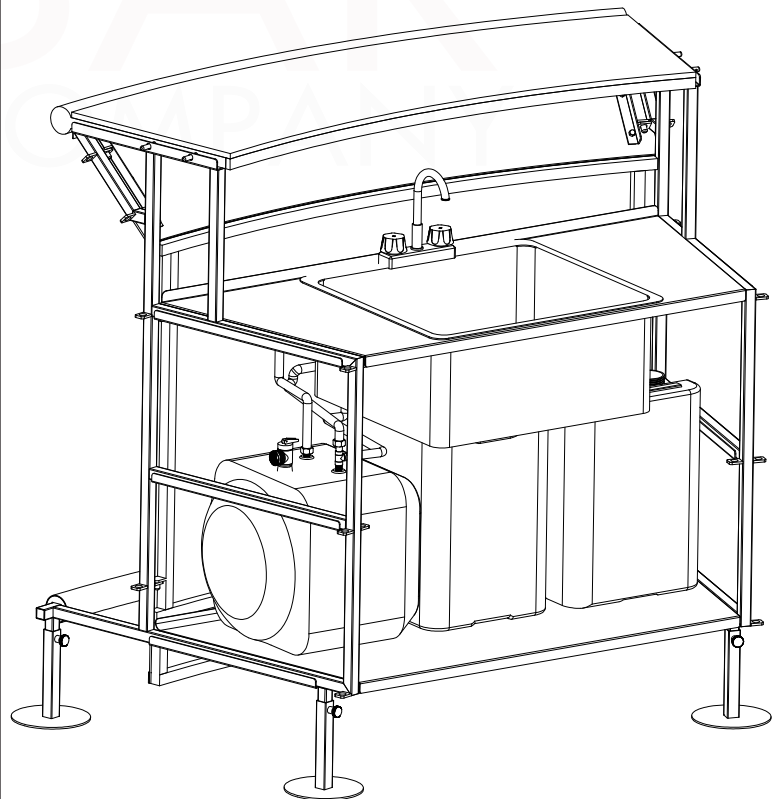


Figure 18

Before turning the system on

- Make sure all the fittings are properly plugged and sealed.
- Double check if the hoses are plugged in the proper way.
- Verify the cables that come from the pump are connected as stated in this guide.
- Double read this guide if necessary.
- Read the maintenance and care guide as well as the heater and pump manufacturer's guide.

Operating the system

To turn it on

1. Fill the clean water tank.
2. Connect the pump's power supply to a wall plug.
3. Pump will start filling the heater, open the faucet and leave it open. It may take a couple of minutes to see water coming out of the faucet.
5. Once you see water coming out of the faucet close the faucet and plug the water heater to a source of power.
6. Wait for 10 to 20 min for the heater to heat the water.

To turn it off

1. Unplug the pump and heater from the wall plug.
2. Open the faucet to release any remaining pressure inside the hoses and heater.
3. Drain the gray water tank. To take it off of the shelf you shall follow the setup guide steps in reverse order.
4. The heater will still have water inside of it after turning the system off. You can leave the water inside for the next use or drain it. To pour water out tip the heater over to let it drain from the top.

Recommendations

- Keep in mind that the heater has a 2.5 Gal tank inside of it and the clean water tank is 5 Gal. Pay attention to the gray water tank, it could overflow.
- Adjust the temperature of the water with the temperature knob on the water heater.
- The pump is capable of running dry for a couple minutes. Serious damage could occur if it runs dry for long periods of time.

CAUTION: The maximum temperature the heater can reach is 140F, using the water at this temperature could cause severe burns. Failure to install the pressure relief valve may result in injury or property lost. The Portable Bar Company IS NOT liable for any injury caused by misuse, spills, accidents nor by improper installations, alterations, or repairs. Please use the system with caution only.



Contact us

Tel # 877-958-7901

Fax # 866-659-3353

E-mail: info@theportablebarcompany.com

Visit us at

www.theportablebarcompany.com

