

Water Pump

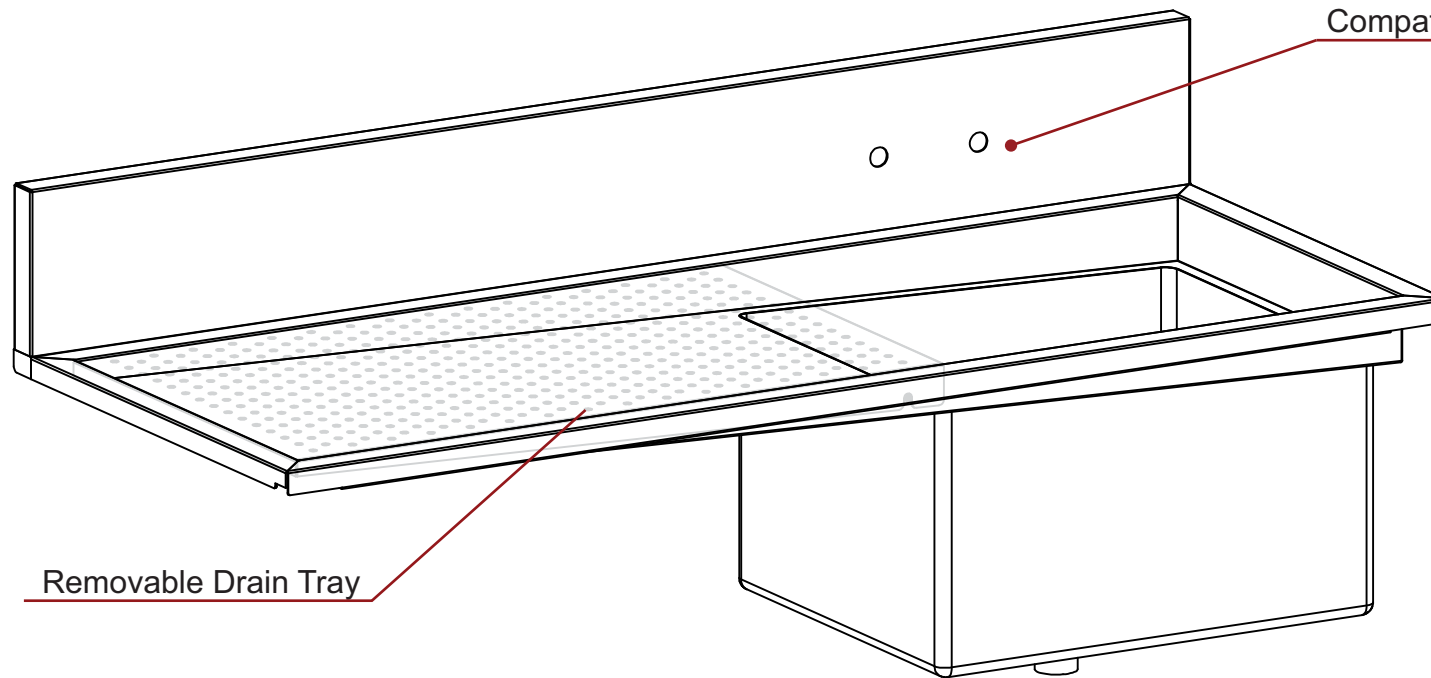
6gal Waste Water Tank

2.5gal Water Heater

5gal Clean Water Tank



Flash Bar Drainboard Hot and Cold Sink System



Compatible with any 4" centers Faucet

Removable Drain Tray



Flash Bar Drainboard

ALL DIMENSIONS ARE IN INCHES. THE INFORMATION CONTAINED WITHIN THIS DOCUMENT IS THE SOLE PROPERTY OF THE PORTABLE BAR COMPANY. ANY REPRODUCTION IN PART OR AS A WHOLE WITHOUT THE WRITTEN PERMISSION OF THE PORTABLE BAR COMPANY IS PROHIBITED.